

B/L 1A T1-MK1 TO G. MARSHALL.  
TARGET LADDER INFORMATION

Date of Cassette repair/replacement : 2 m.m. Low  
Feb. 27/03 By : T. Lyth  
 Date installed in Beamline : MAR. 28/03

TARGET POS'N	MATERIAL	COMMENTS
1	<u>PLUGGED</u>	
2	<u>PLUGGED</u>	
3	<u>12 m.m. Be</u>	<u>170 uA LIMIT</u> <u>NEW CASSETTE</u> <u>FEB. 27/03</u>
4	<u>12 m.m. Be</u>	<u>170 uA LIMIT</u> <u>HAS SEEN BEAM</u> <u>NEW MAY 26/06</u>
5	<u>PLUGGED.</u>	

COMMENTS : PROTECT MON. - 5 m.m. SPACING (STD.)  
PROFILE MON. NEW.  
PROF. & PROTECT MON. CHECKED BY D. SMITH  
& T. REYNOLDS.

OPS.: SIGN THIS FORM & MAKE 5 COPIES. RETURN THE ORIGINAL TO ORIGINATOR.  
 PLACE 1 COPY OF THE FORM IN THE FOLLOWING BOOKS:  
 1-BLUE BOOK  
 2-TARGETS.....brown book, BBnote section  
 3-BEAMLINES..... " " " "  
 4-1AOP..... " " " "  
 5-BL1A TARGET SCANS book, NEW T1 or T2 section

Update XTPage page 7L and when finished make sure it is available on other XTPages.  
 Print-out page 7L, cut-out the pertinent section and tape it to the J-panel target control station.

RECEIVED BY OPS.: Mark Fleming DATE: 9 April 03.

NOTE:

- DIM'S IN m.m.
- POT. READS 20.32 K OHM

T1-MK1  
LOWERED 2 m.m.

FEB.27/03

page 1  
 REV. 1

ENTRY  
 MEASUREMENTS TAKEN  
 LOOKING DOWNSTREAM

EXIT  
 MEASUREMENTS TAKEN  
 LOOKING UPSTREAM

POS'N #5

PLUGGED

POS'N #4

12 m.m. Be  
 (MAY 27/96)

POS'N #3

12 m.m. Be  
 (FEB.27/03)

POS'N #2

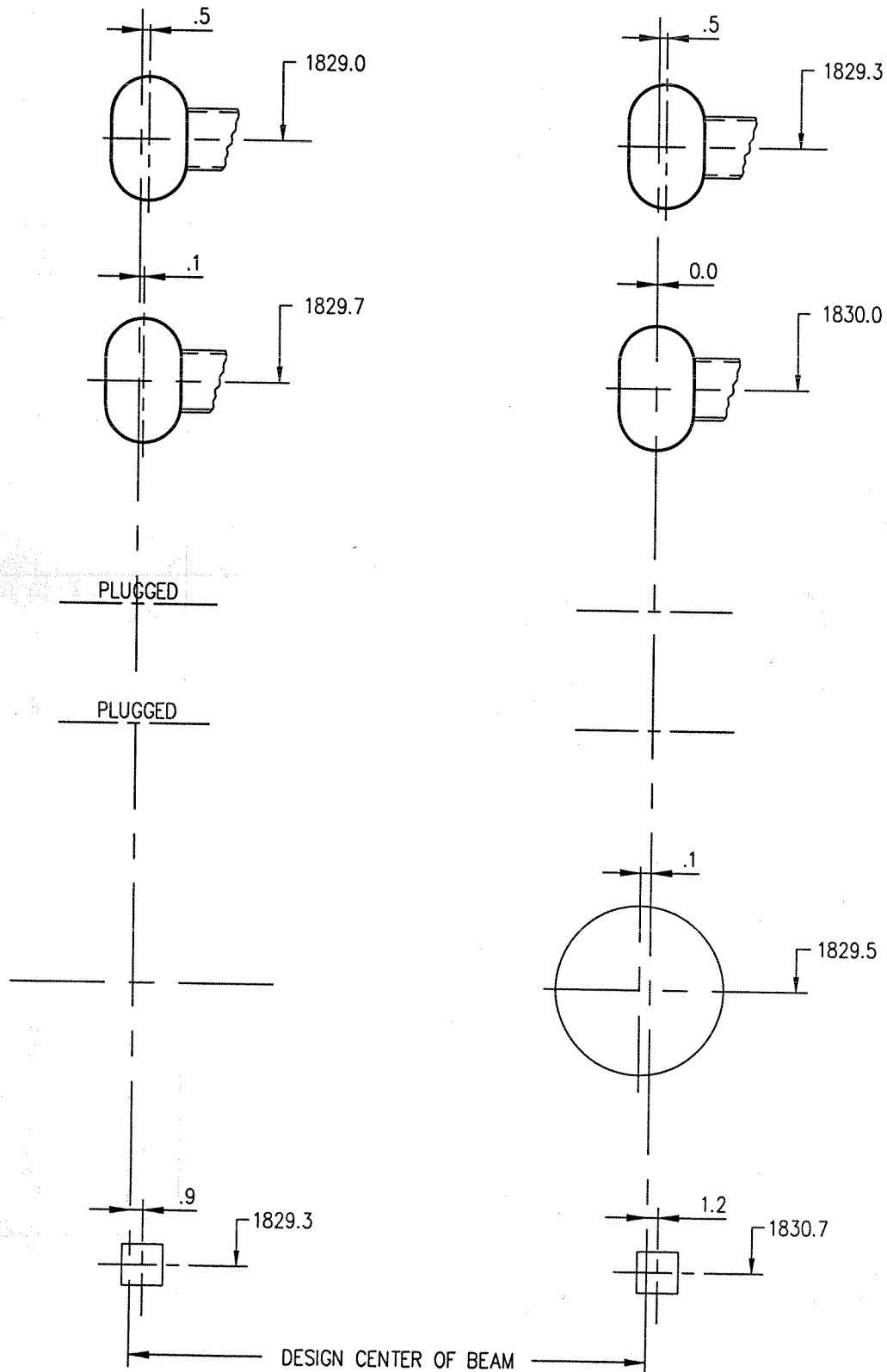
PLUGGED

POS'N #1

PLUGGED

PROFILE MONITOR  
 (NEW FEB.27/03)

PROTECT MONITOR

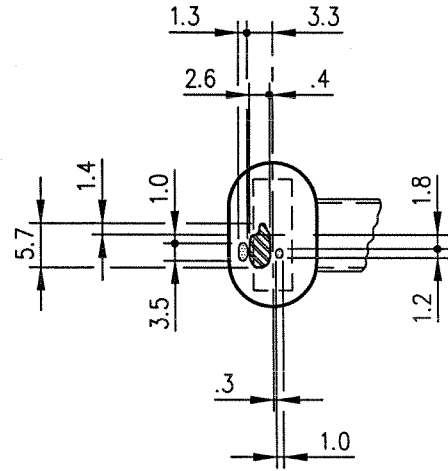
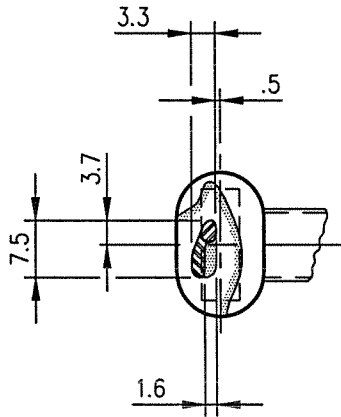


-DIM'S IN m.m.

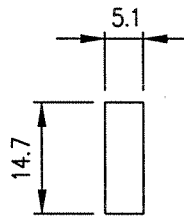
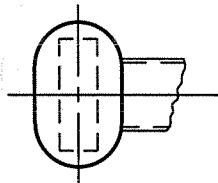
ENTRY  
 MEASUREMENTS TAKEN  
 LOOKING DOWNSTREAM

EXIT  
 MEASUREMENTS TAKEN  
 LOOKING UPSTREAM

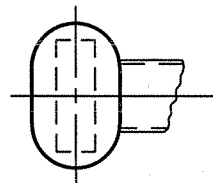
POS'N #4



POS'N #3  
 (FEB.27/03)



Be T'GT



PROTECT MONITOR

