

B/L 1A T1-MK2 TO G. MARSHALL  
TARGET LADDER INFORMATION

Date of Cassette ADDITION.  
 repair/replacement :        Jul. 20/04 By : T. Lyth  
 Date installed in Beamline :       

SPARE to be installed SEPT. 13/14/04

TARGET POS'N	MATERIAL	COMMENTS
1	<u>PLUGGED</u>	
2	<u>2mm. x 45° GRAPHITE</u>	<u>CURRENT LIMIT TO BE SET BY R. RUEGG OR G. STINSEN.</u> <u>NEW Jul. 20/04</u>
3	<u>12mm. Be</u>	<u>170 uA LIMIT</u> <u>TARGET HAS SEEN BEAM</u> <u>NEW JUN. 2/97</u>
4	<u>12mm. Be</u>	<u>170 uA LIMIT</u> <u>TARGET HAS SEEN BEAM.</u> <u>NEW JAN. 9/96</u>
5	<u>10mm. GRAPHITE</u>	<u>150 uA LIMIT</u> <u>TARGET HAS NOT SEEN BEAM.</u> <u>NEW OCT. 16/00</u>

COMMENTS : TARGETS 2mm. Low (1830.0mm. Nom.)  
PROTECT MONITOR STD. APERATURE, 5mm. W. x 5.5mm. Hi.  
PROTECT & PROFILE CHECKED BY D. CAMERON

- OPS.: SIGN THIS FORM & MAKE 5 COPIES. RETURN THE ORIGINAL TO ORIGINATOR.  
 PLACE 1 COPY OF THE FORM IN THE FOLLOWING BOOKS:
- 1-BLUE BOOK
  - 2-TARGETS.....brown book, BBnote section
  - 3-BEAMLINES..... " " " "
  - 4-1AOP..... " " " "
  - 5-BL1A TARGET SCANS book, NEW T1 or T2 section

Update XTPage page 7L and when finished make sure it is available on other XTPages.  
 Print-out page 7L, cut-out the pertinent section and tape it to the J-panel target control station.

RECEIVED BY OPS.:        DATE:

**NOTE:**  
 -DIM'S IN m.m.  
 -POT. READS 20.23

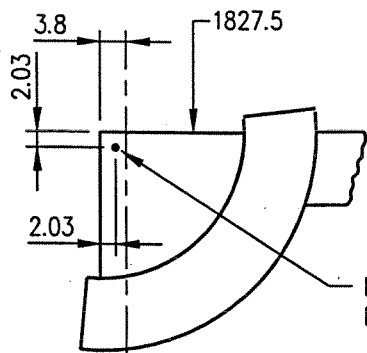
T1-MK2  
LOWERED 2 m.m.

12.4.  
 JUL. 21/04  
 pg. 1 of 2

ENTRY

EXIT

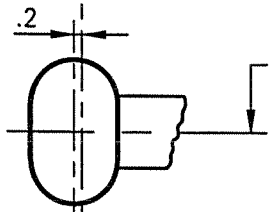
POS'N #5  
 10 m.m. GRAPH.



TRAVELLING DOWN.  
 SW. ON @ 1825.5 m.m.  
 SW. OFF @ 1831.5 "

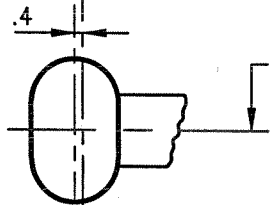
BEAM SPOT  
 DESIGN CENTER

POS'N #4  
 12 m.m. Be



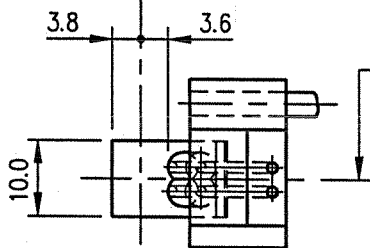
TRAVELLING DOWN.  
 SW. ON @ 1825.7 m.m.  
 SW. OFF @ 1833.4 "

POS'N #3  
 12 m.m. Be



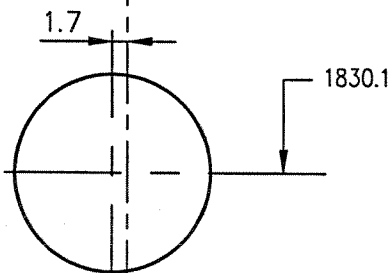
TRAVELLING DOWN.  
 SW. ON @ 1826.2 m.m.  
 SW. OFF @ 1833.4 "

POS'N #2  
 45° GRAPH.  
 2 m.m. THICK



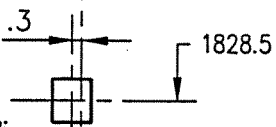
TRAVELLING DOWN.  
 SW. ON @ 1826.1 m.m.  
 SW. OFF @ 1833.6 "

POS'N #1  
 PLUGGED

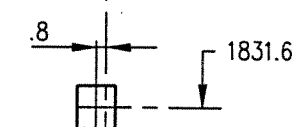
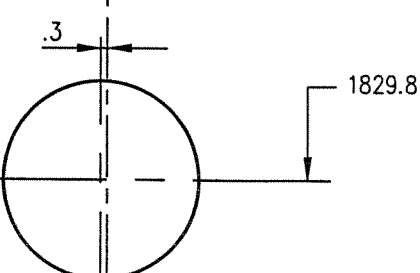
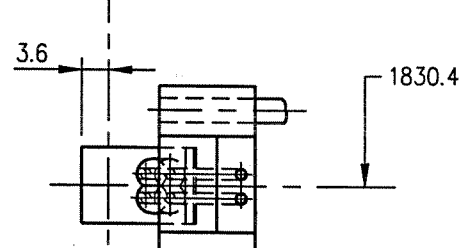
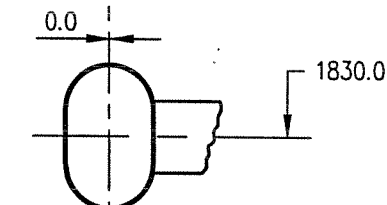
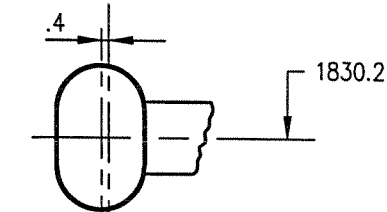
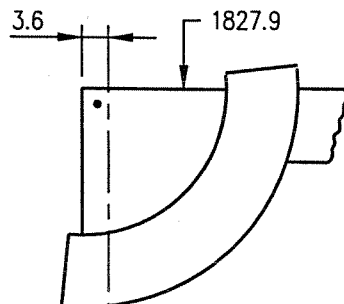


PROFILE MONITOR

PROTECT MONITOR  
 5 m.m. W. X 5.5 m.m. Hi.



DESIGN CENTER OF BEAM



NOTE:

-DIM'S IN m.m.

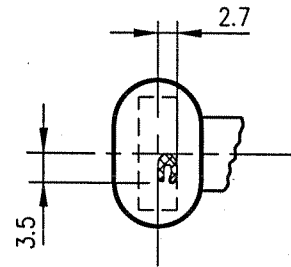
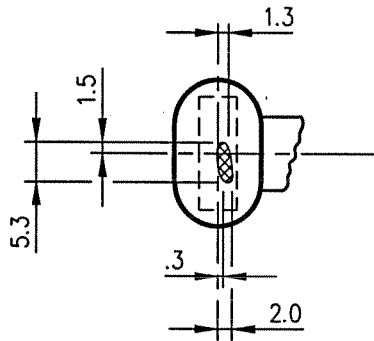
T1-MK2  
BEAMSPOTS

R. H.  
JUL. 21/04  
pg. 2 of 2

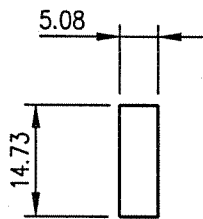
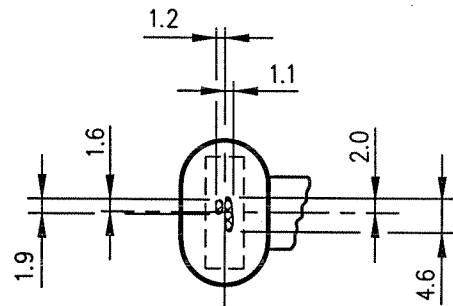
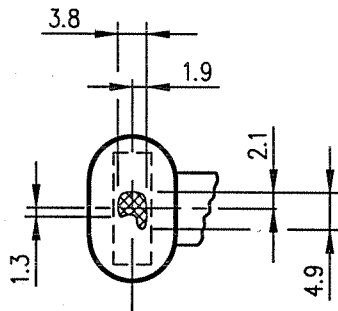
ENTRY

EXIT

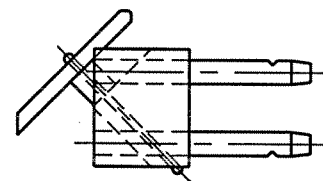
POS'N #4  
12 m.m. Be



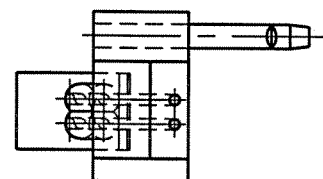
POS'N #3  
12 m.m. Be



12 m.m. Be T'GT



↑  
BEAM



45° GRAPHITE T'GT  
2 m.m. THICK