

- Fig. 24 Block Diagram of the Amplifier and Time Interval Generator
- Fig. 25 Amplified Microphone Pulse Height vs Distance from Microphone
- Fig. 26 A Block Diagram of the Data Reading Sequence
- Fig. 27 Coordinates for Trajectory Reconstruction
- Fig. 28 DZ3 Histogram for 6.6 kG data
- Fig. 29 DR4 Histogram for 6.6 kG data
- Fig. 30 Widths of DZ3 and DR4 Distributions as Functions of Momentum
- Fig. 31 α' Histograms for 6.6 kG data
- Fig. 32 ϕ_T Histograms for 6.6 kG data
- Fig. 33 Comparison of Experimental Momenta Spectra in the overlap region of the 6.6 kG and 5.3 kG data
- Fig. 34 Plot of χ^2 vs ρ when $\eta = 0$ for all experimental data
- Fig. 35 Deviation of Experimental Spectrum from Best Fit Theoretical Spectrum
- Fig. 36 Plot of χ^2 vs ρ for 16, 11, and 7.8 mc data
- Fig. 37 Block Digitron Decade Counter
- Fig. 38 Main Pulse Generator Chassis
- Fig. 39 Example of Mixing of Digit Lines
- Fig. 40 Digit Selection Sequencer
- Fig. 41 Select Pulse Logic
- Fig. 42 The 1401 Control Chassis

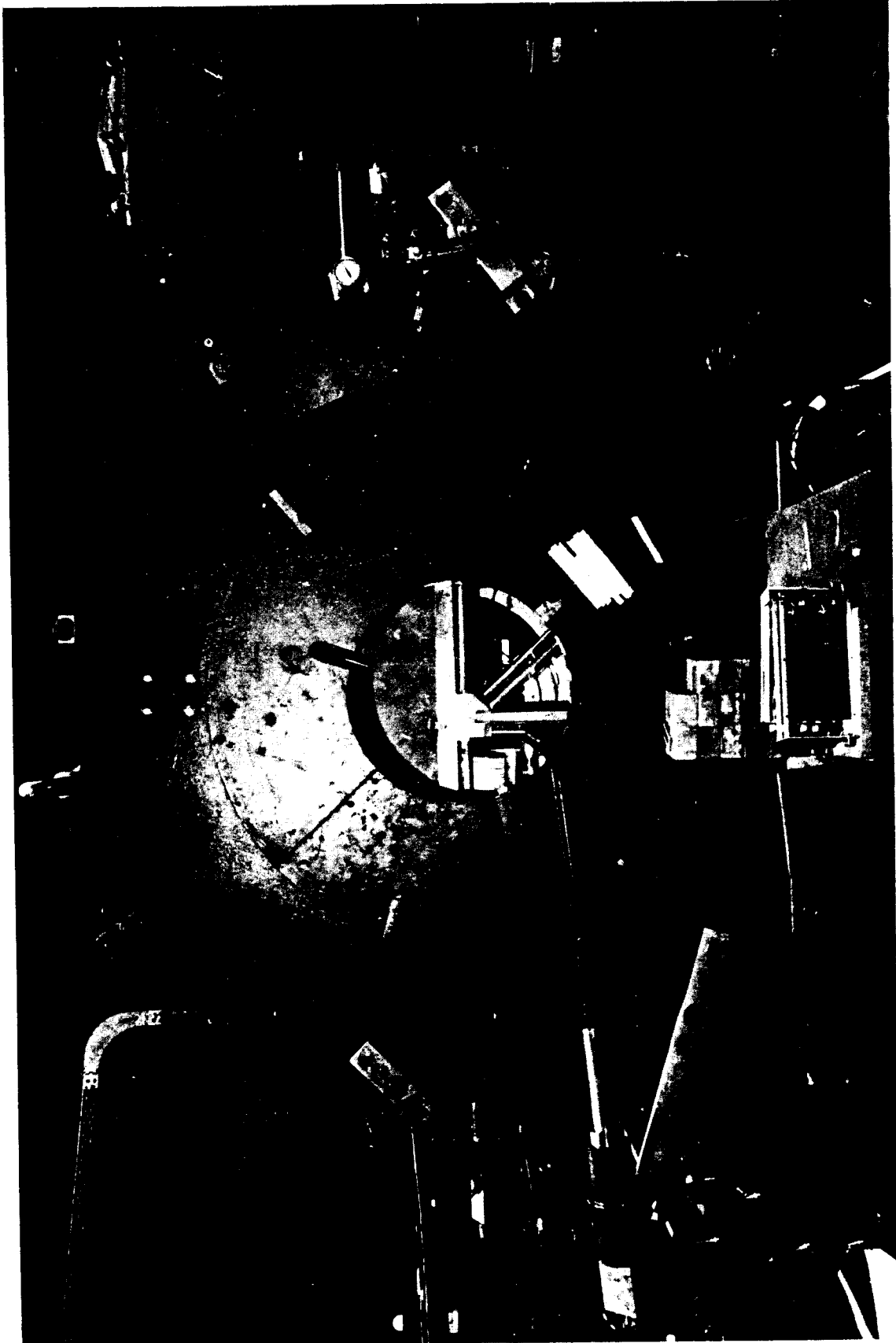
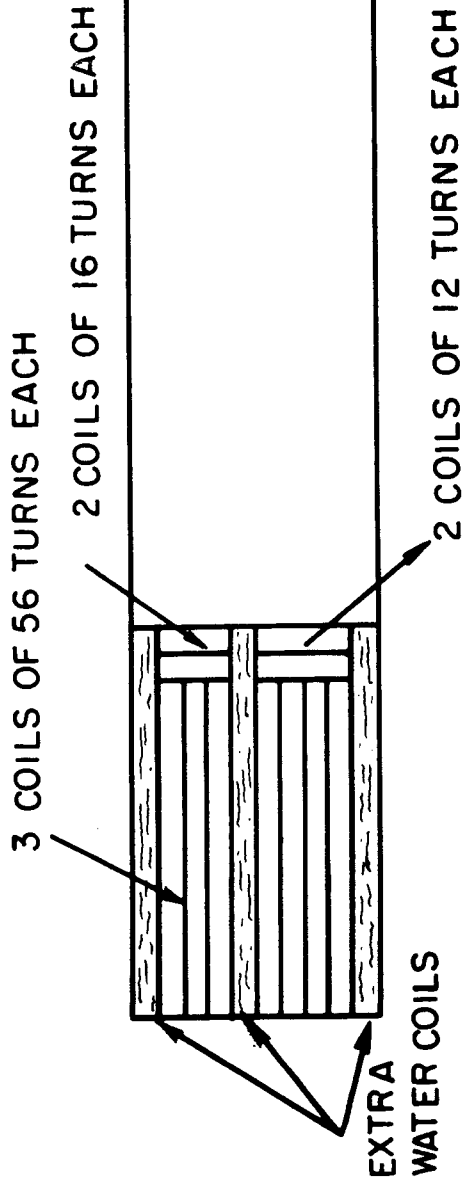


Fig. 3

Fig. 3

FINAL ARRANGEMENT OF SHIM COILS IN CLOUD CHAMBER MAGNET



1 COIL OF 192 TURNS

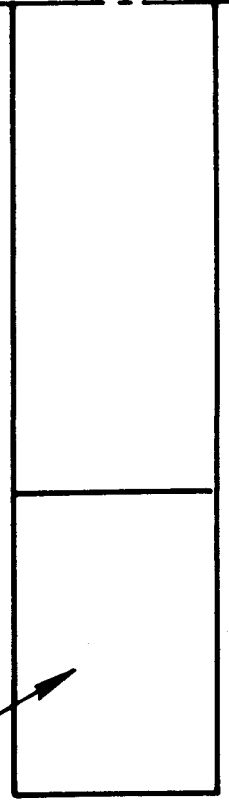


FIG. 4

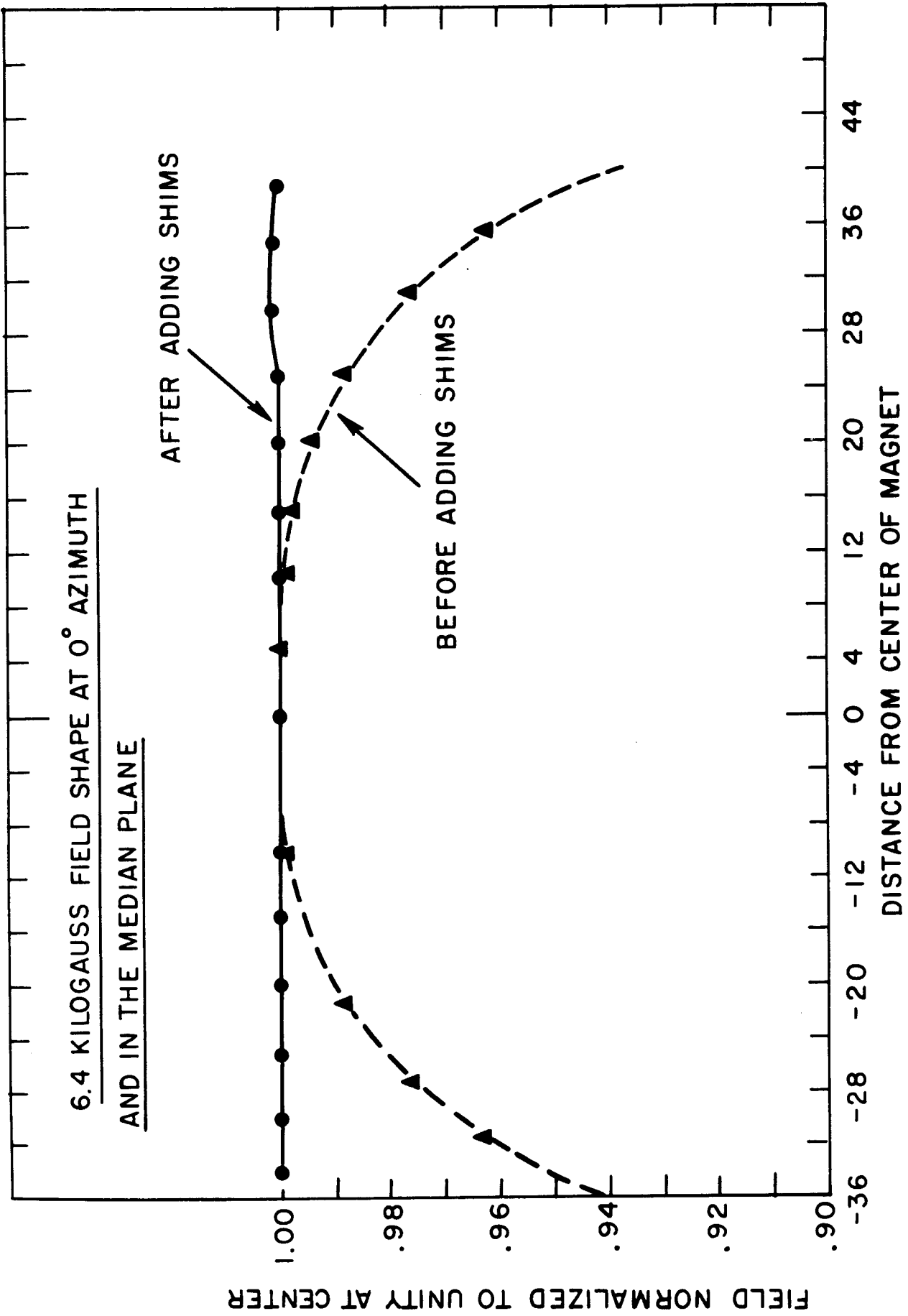


FIG. 5

6.6 kGAUSS FIELD SHAPE AT 0° AZIMUTH

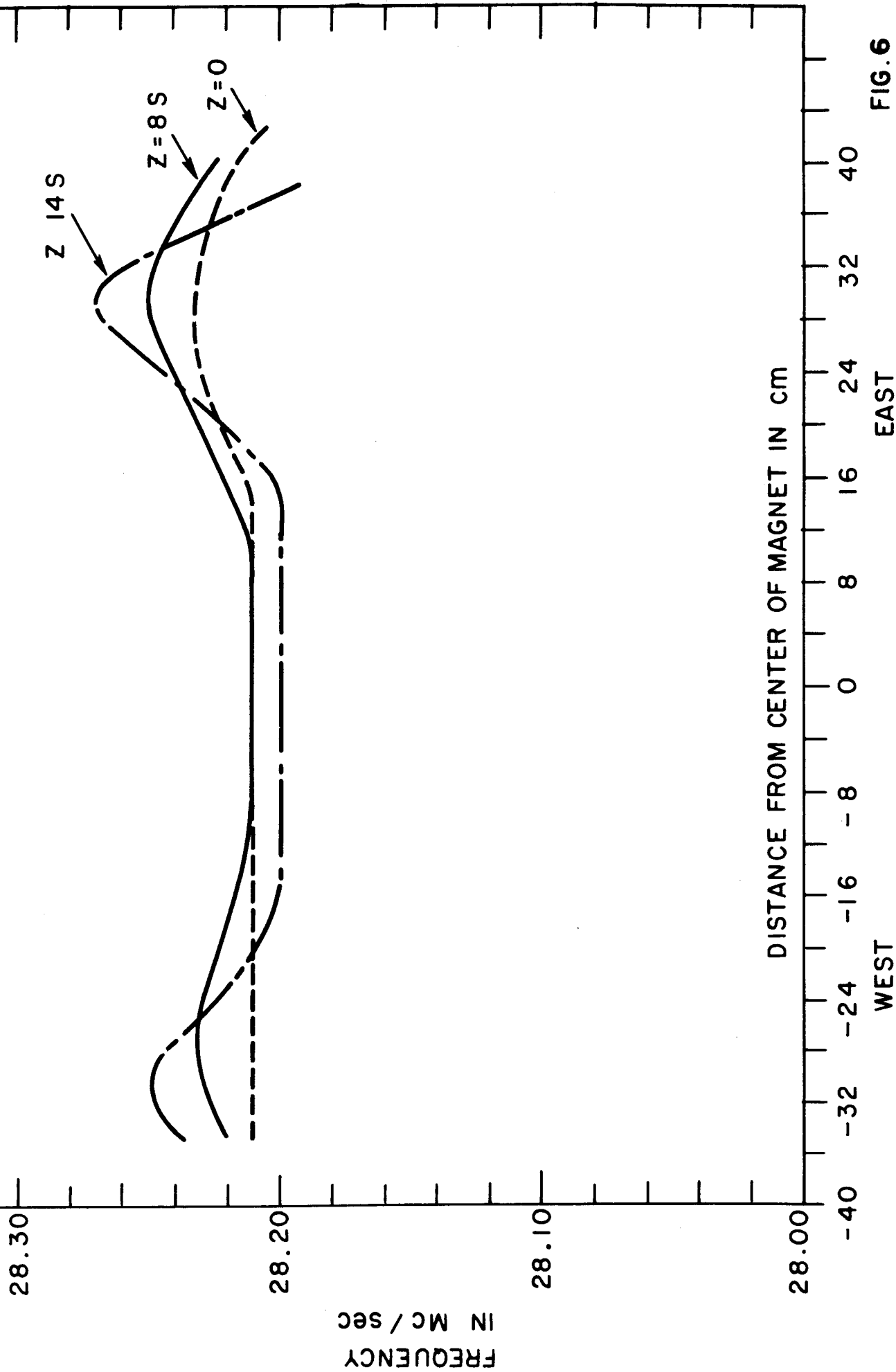


FIG. 6

FREQUENCY
IN MC / SEC

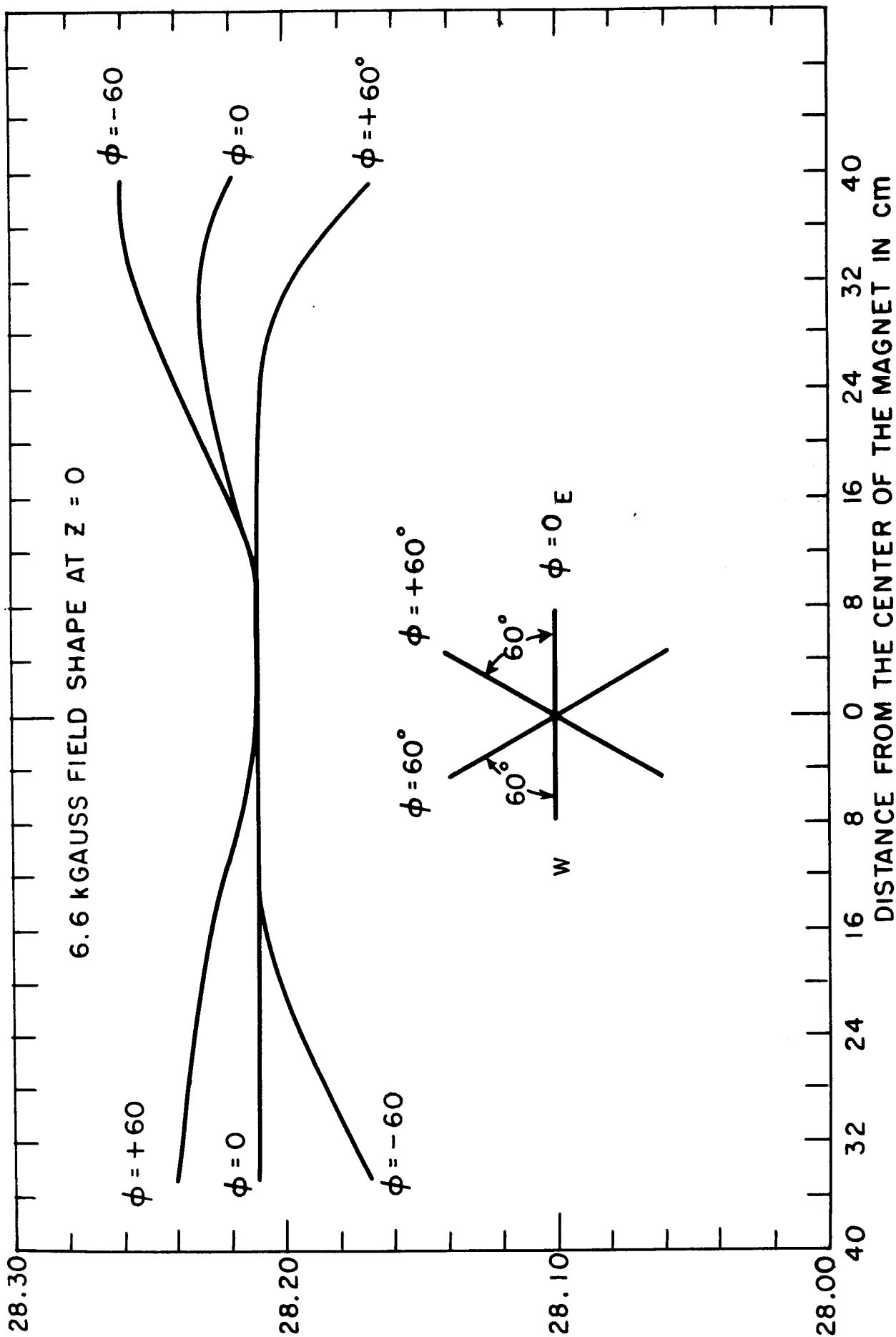


FIG. 7

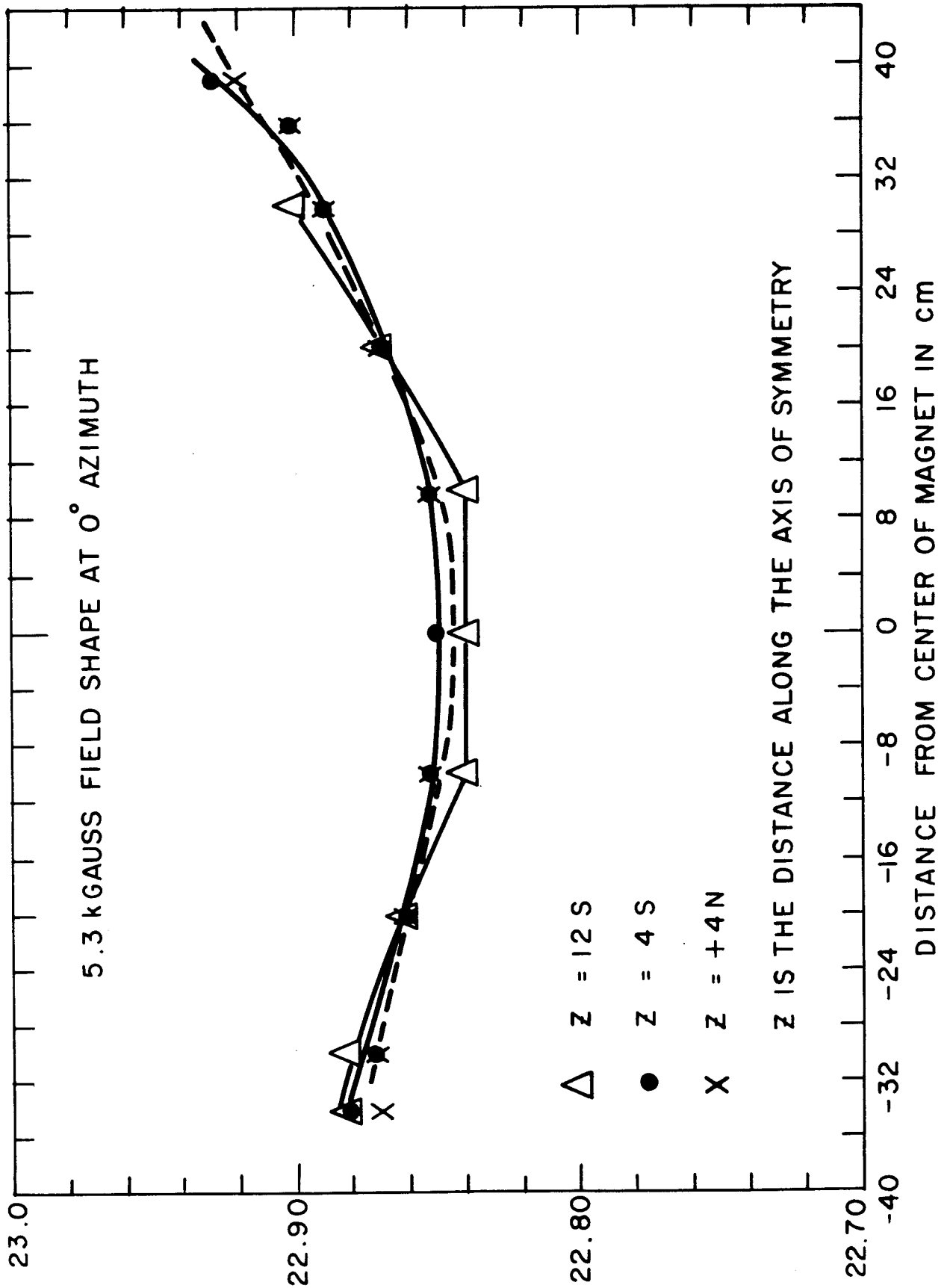


FIG. 8

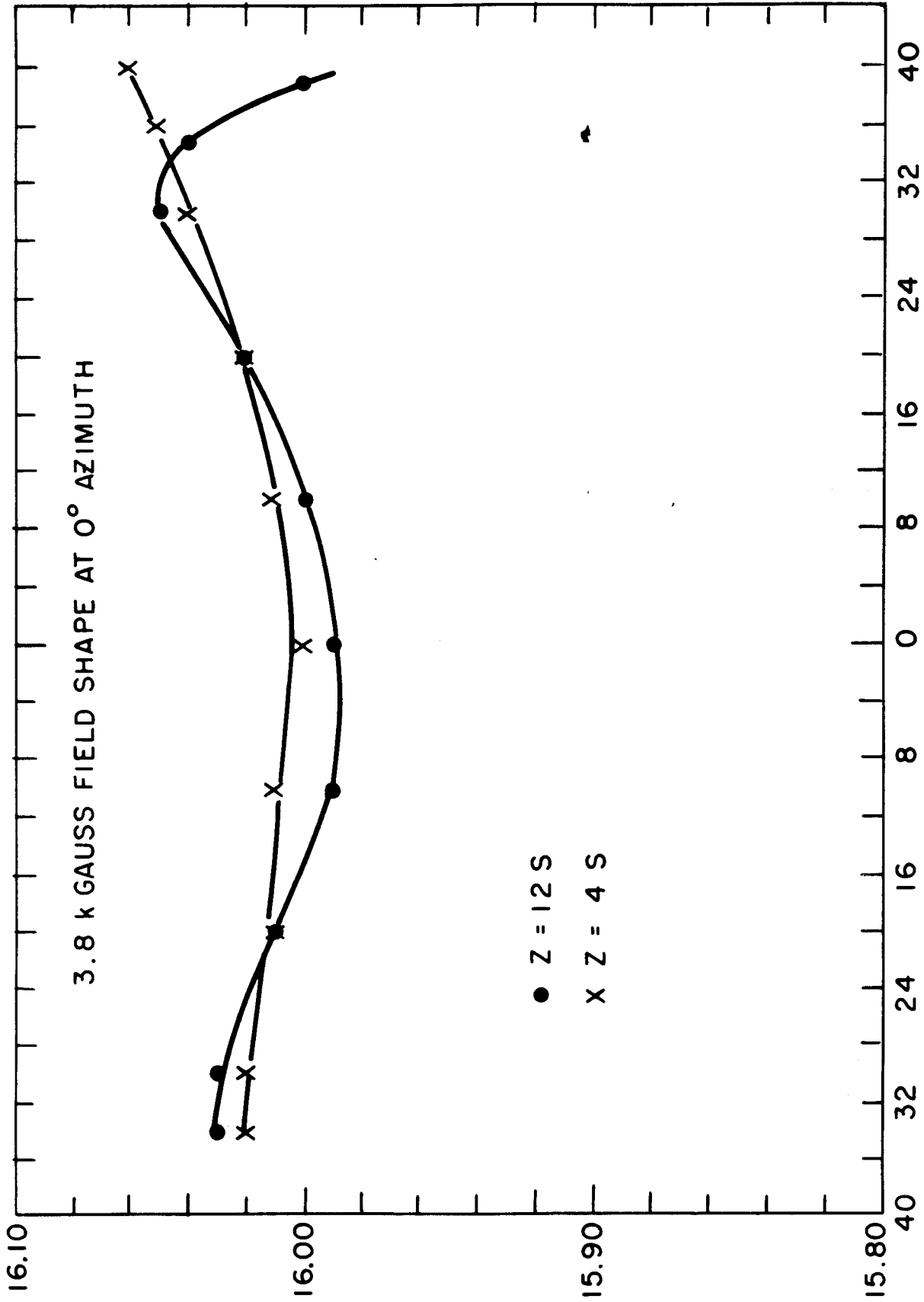


FIG. 9

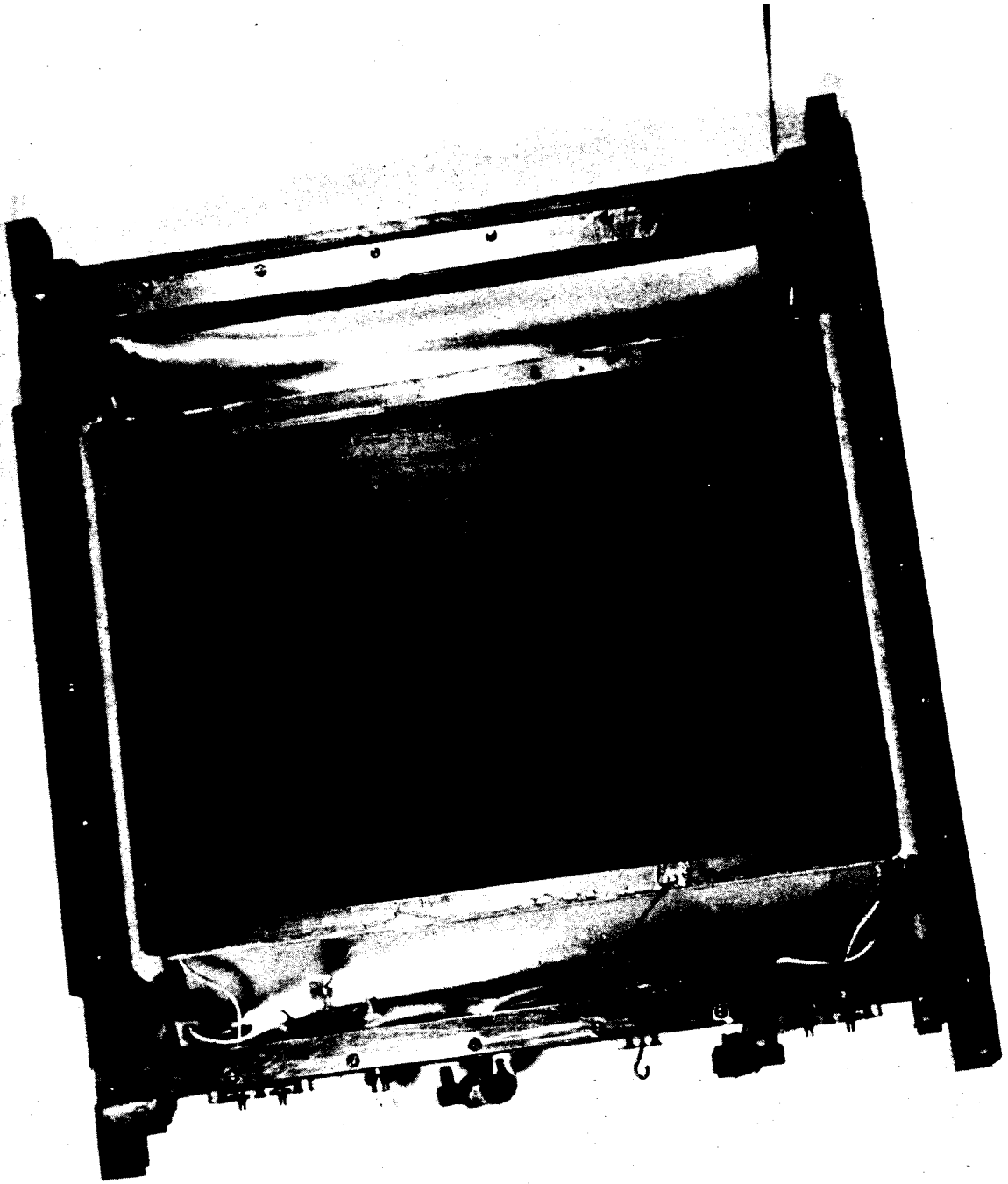


Fig. 10

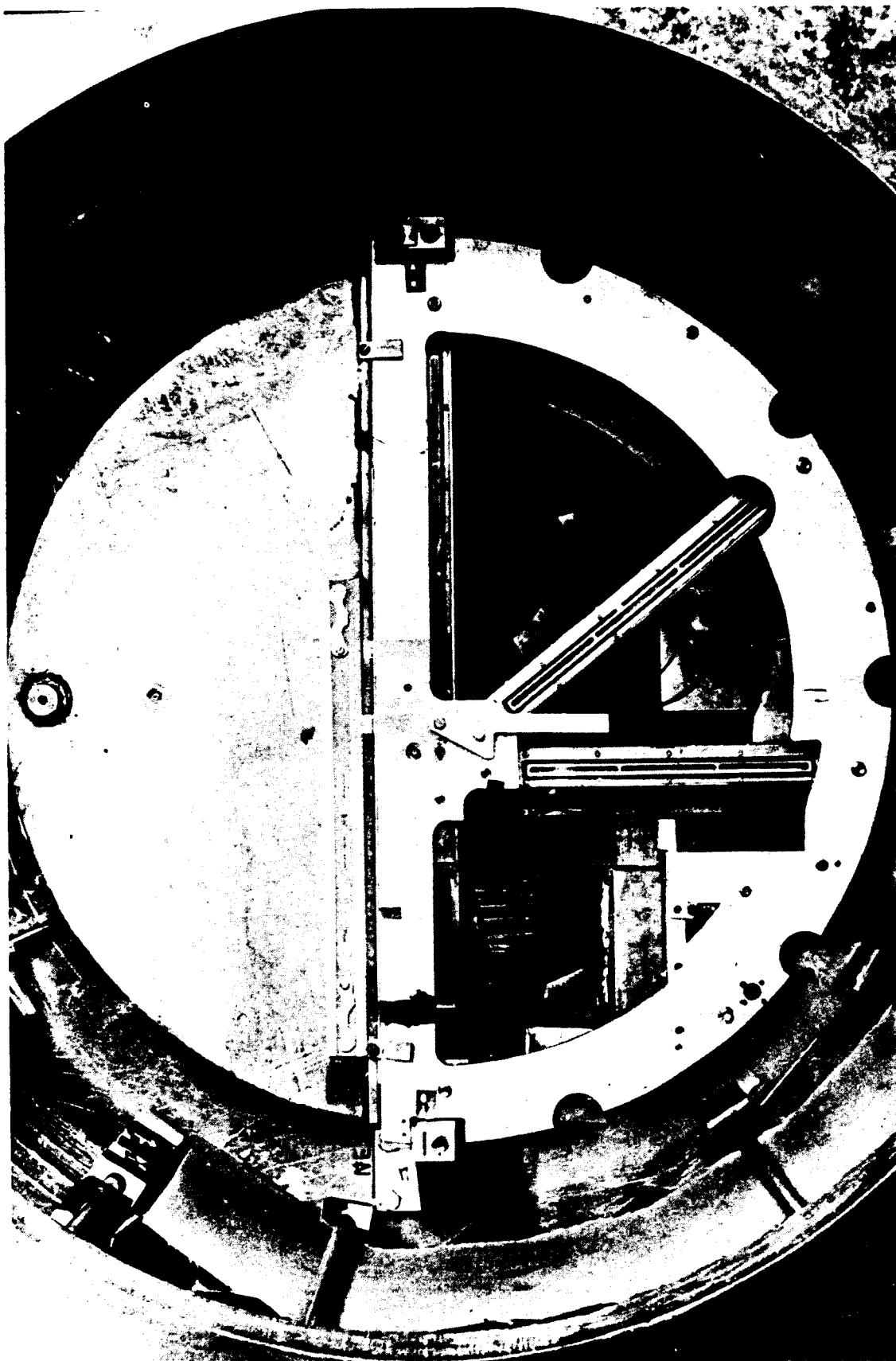


Fig. 11

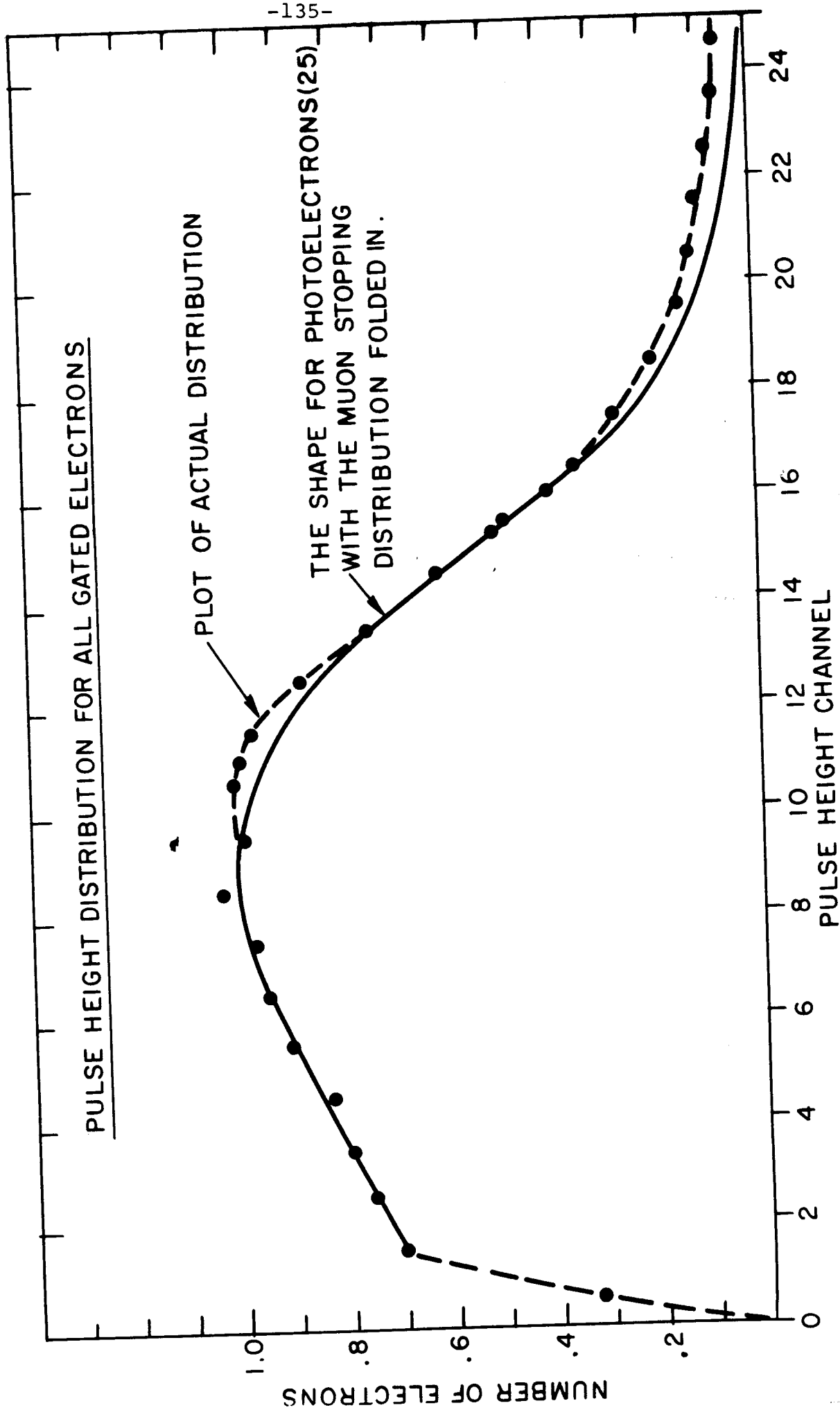


FIG. 12

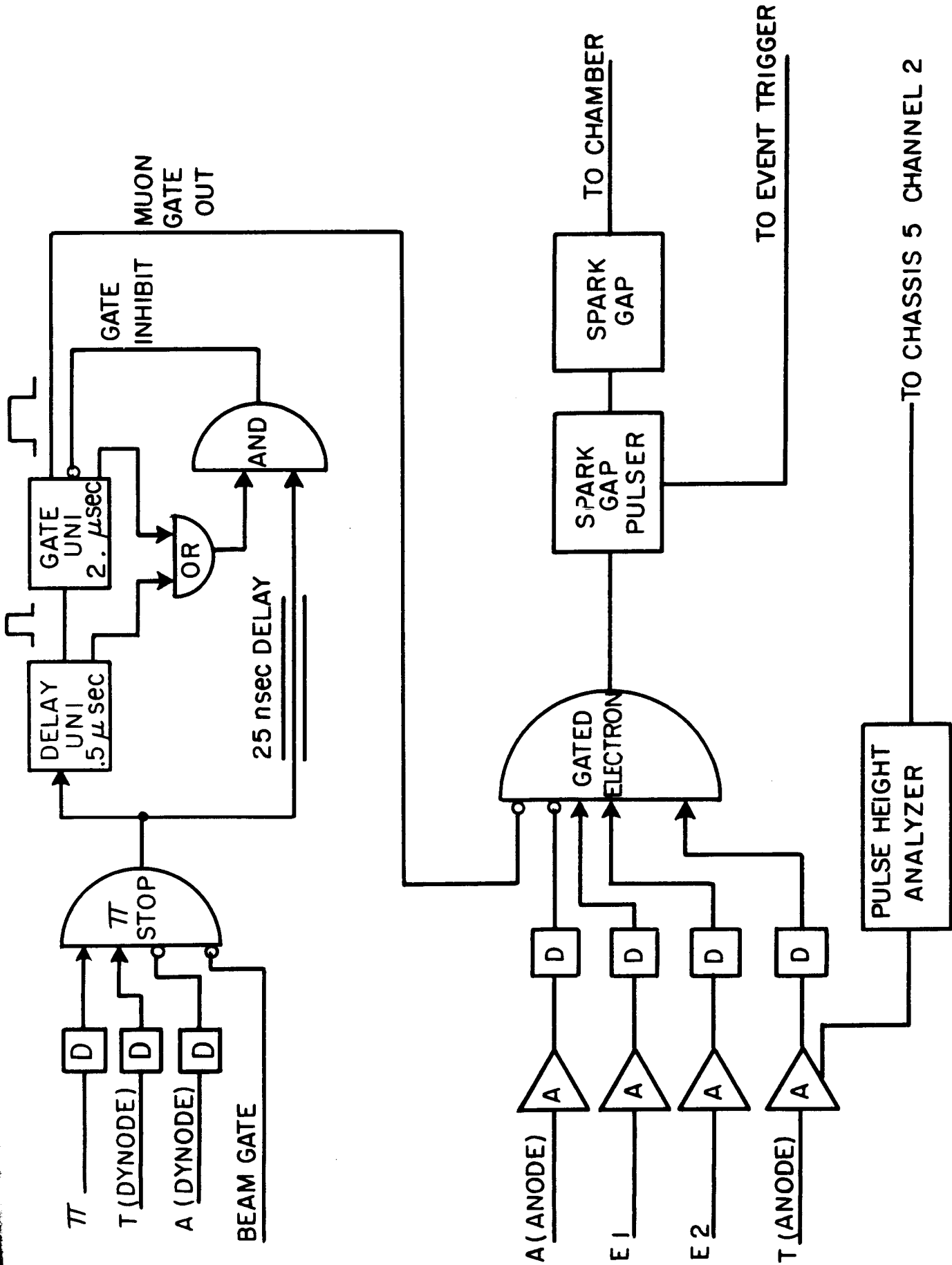


FIG. 13 BLOCK DIAGRAM OF MUON DETECTION ELECTRONICS

BLOCK DIAGRAM OF PULSE HEIGHT ANALYZER

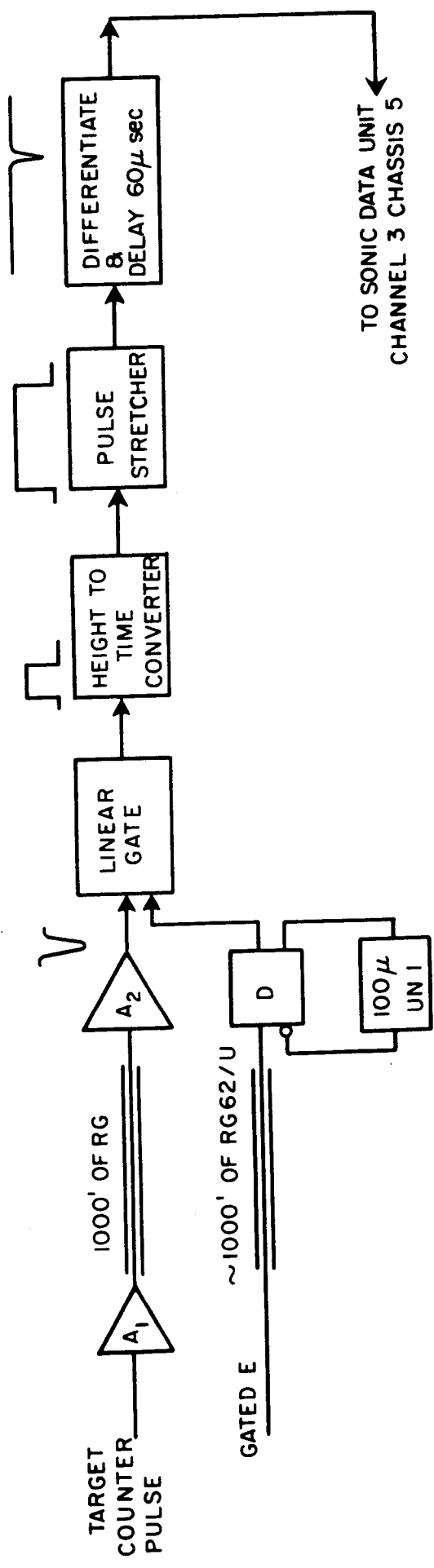


FIG. 14

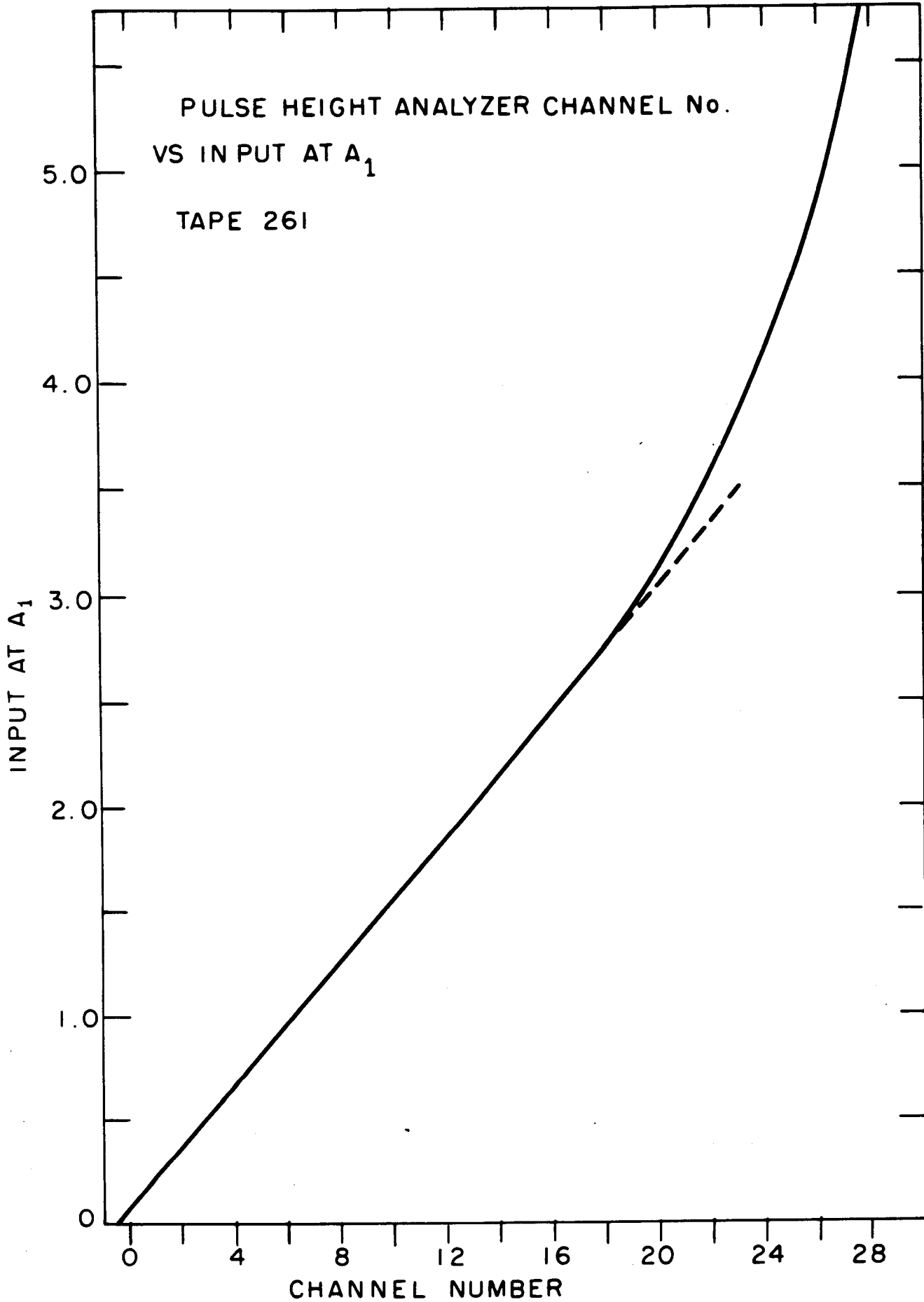
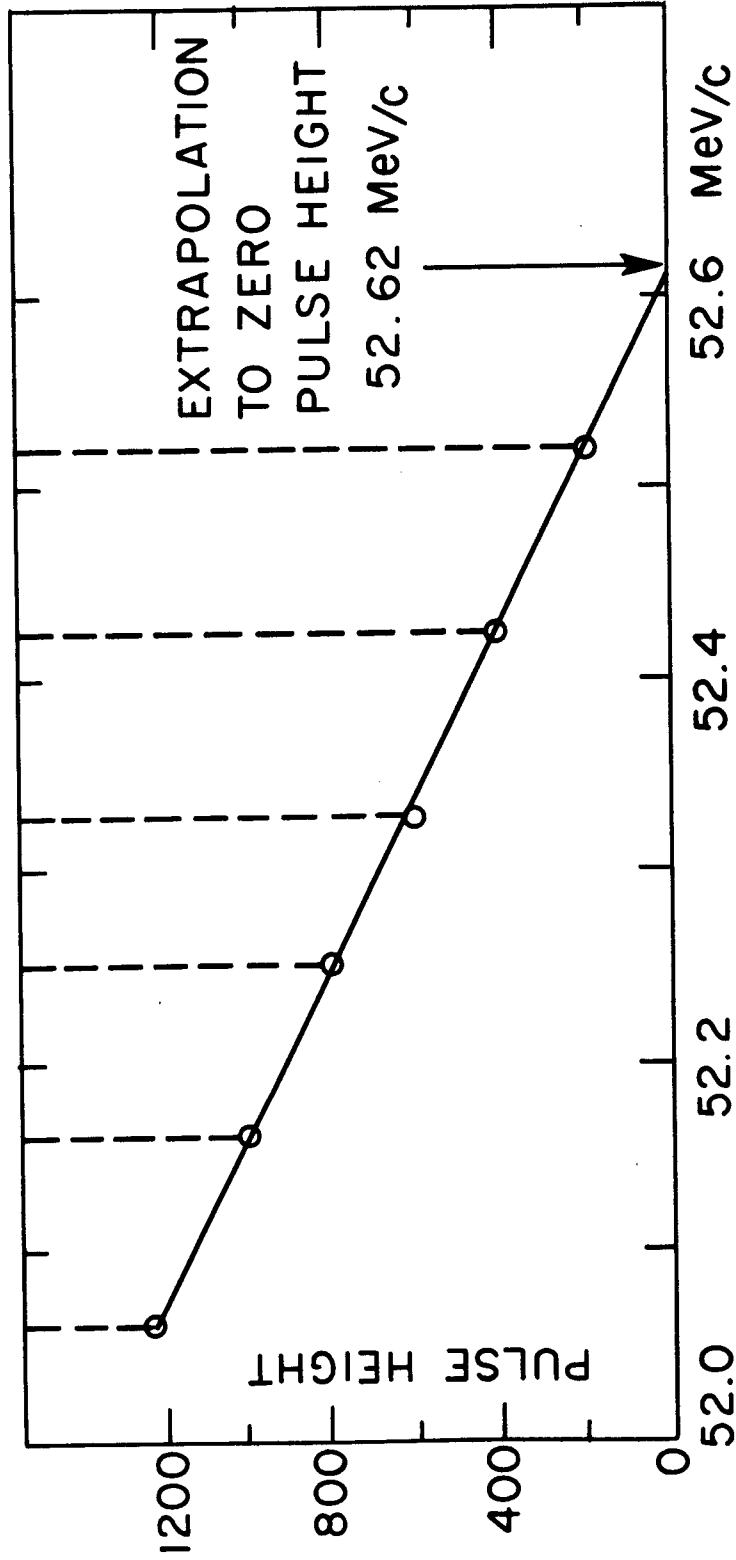


FIG 15



MOMENTUM AT CENTER OF FALL-OFF
PULSE HEIGHT ANALYZER CHANNEL VS SPECTRUM END POINT

FIG.16



Fig. 18

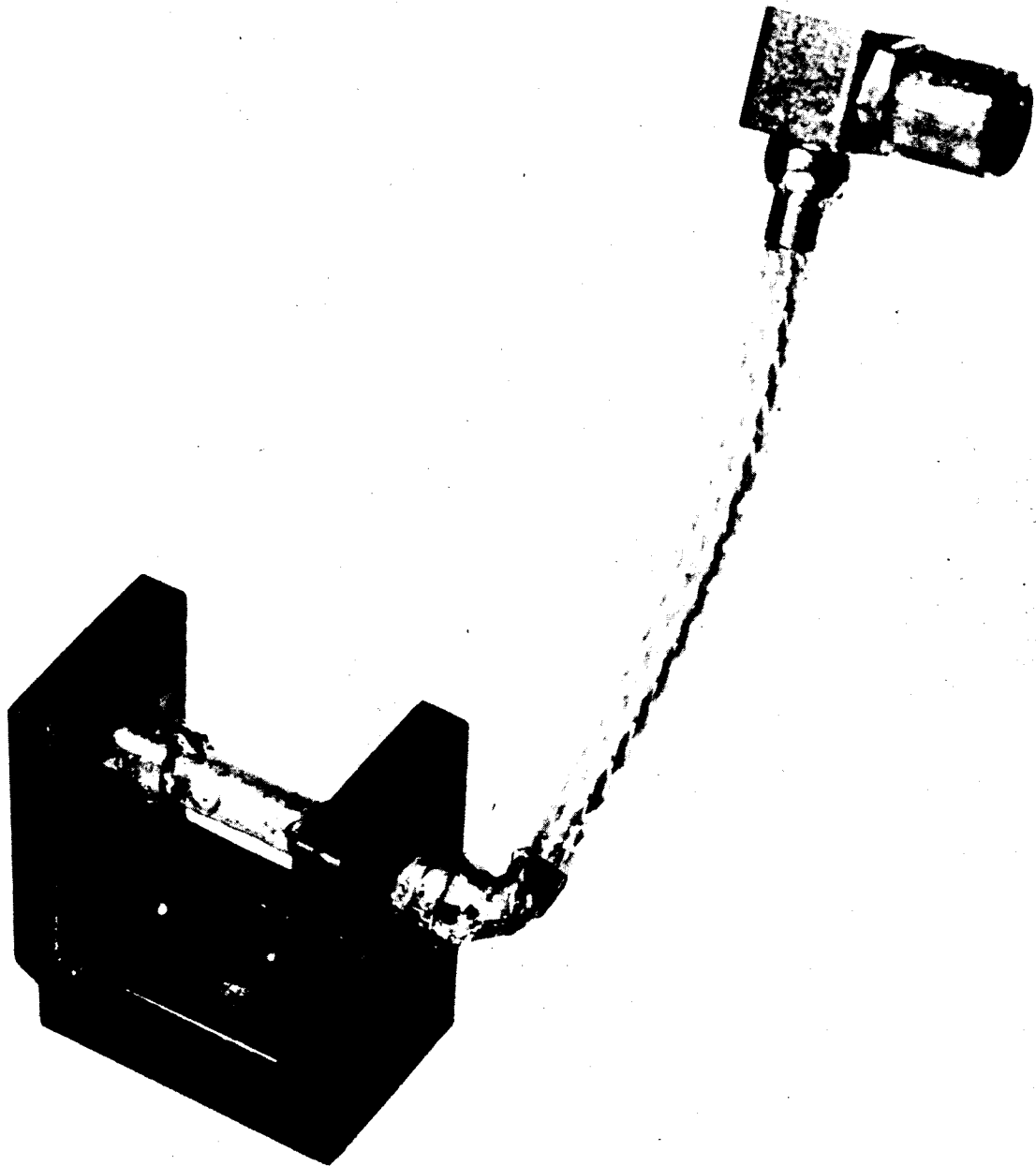


Fig. 19

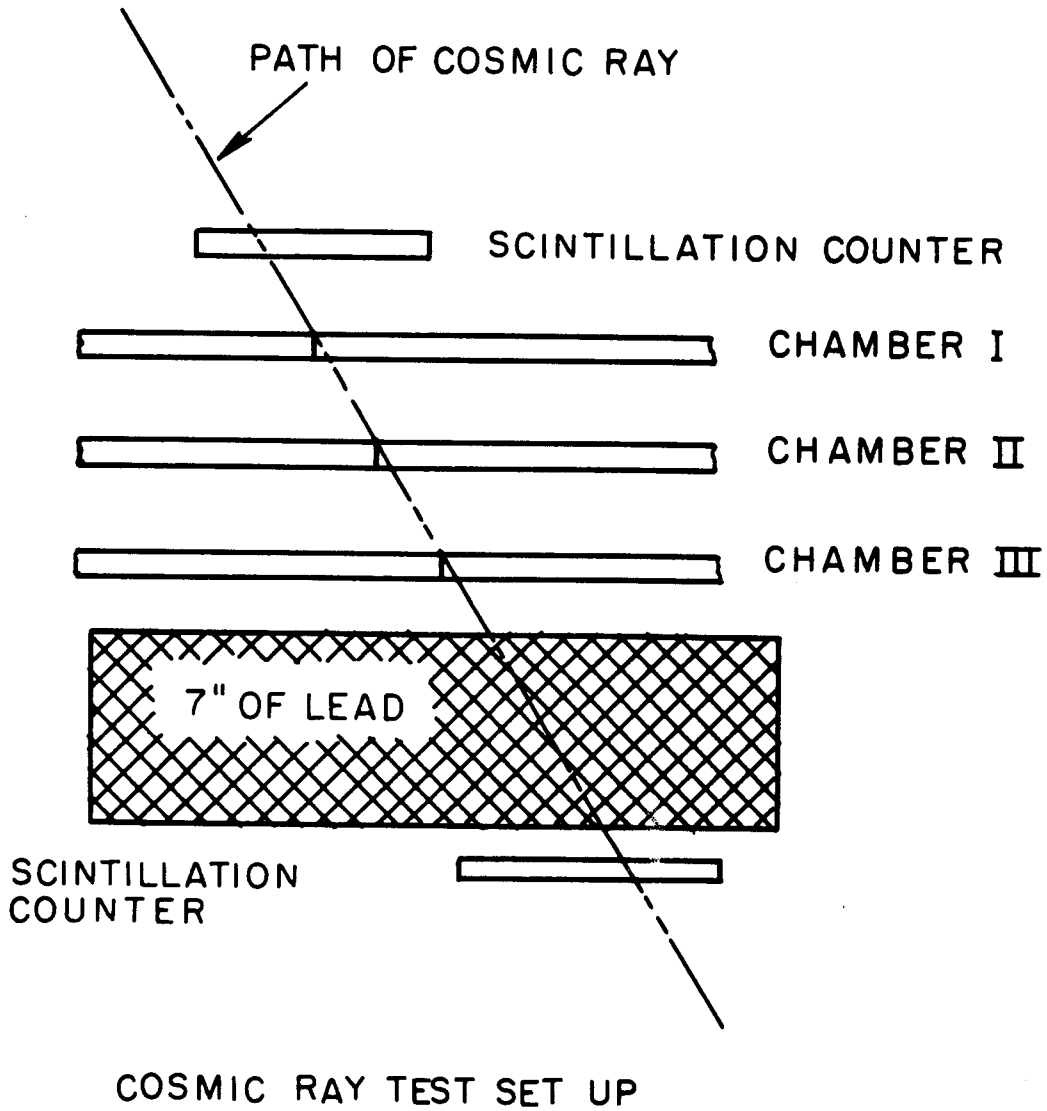
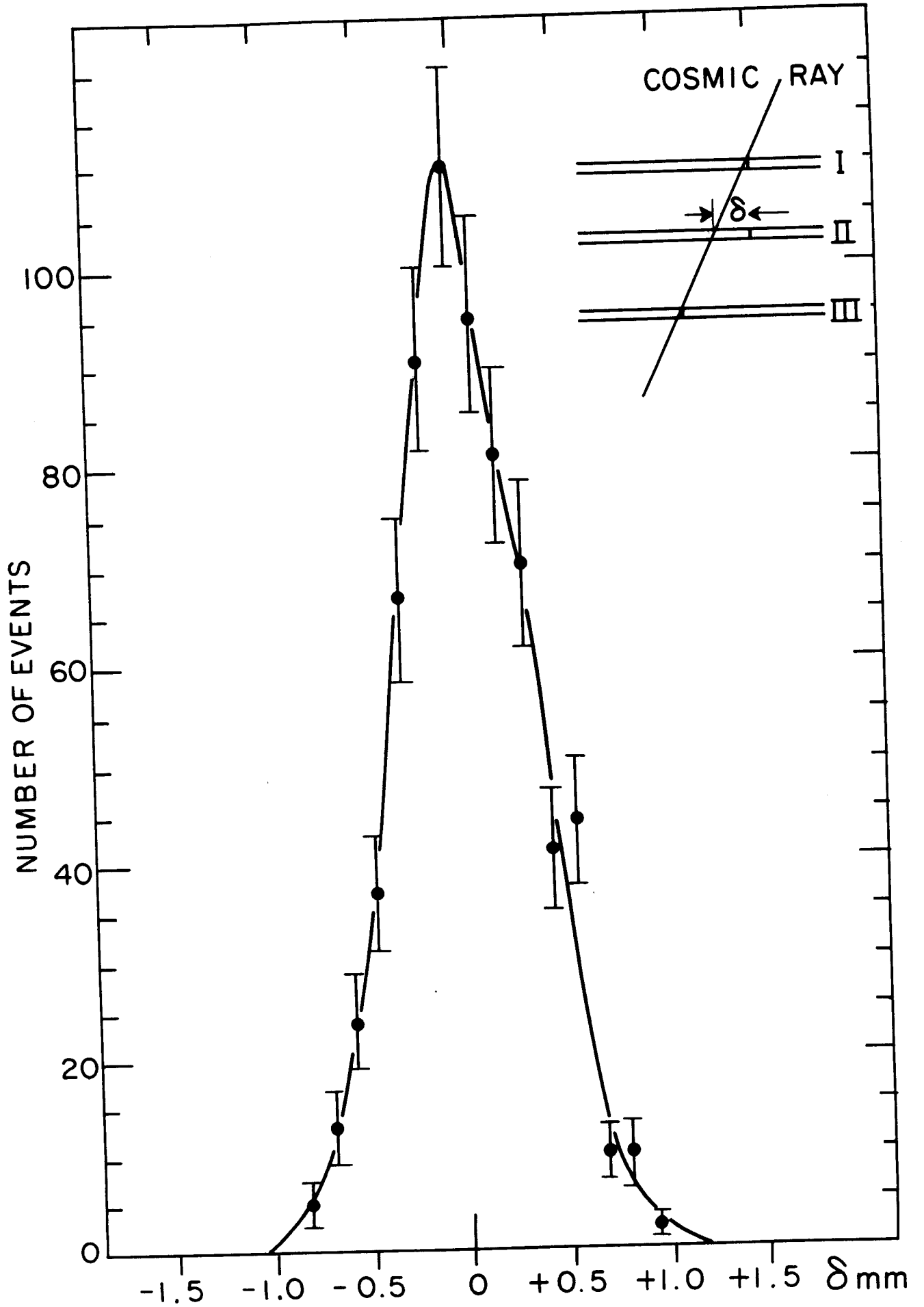


FIG. 20

NUMBER OF EVENTS



BLOCK DIAGRAM OF SONIC
SPARK CHAMBER ELECTRONICS

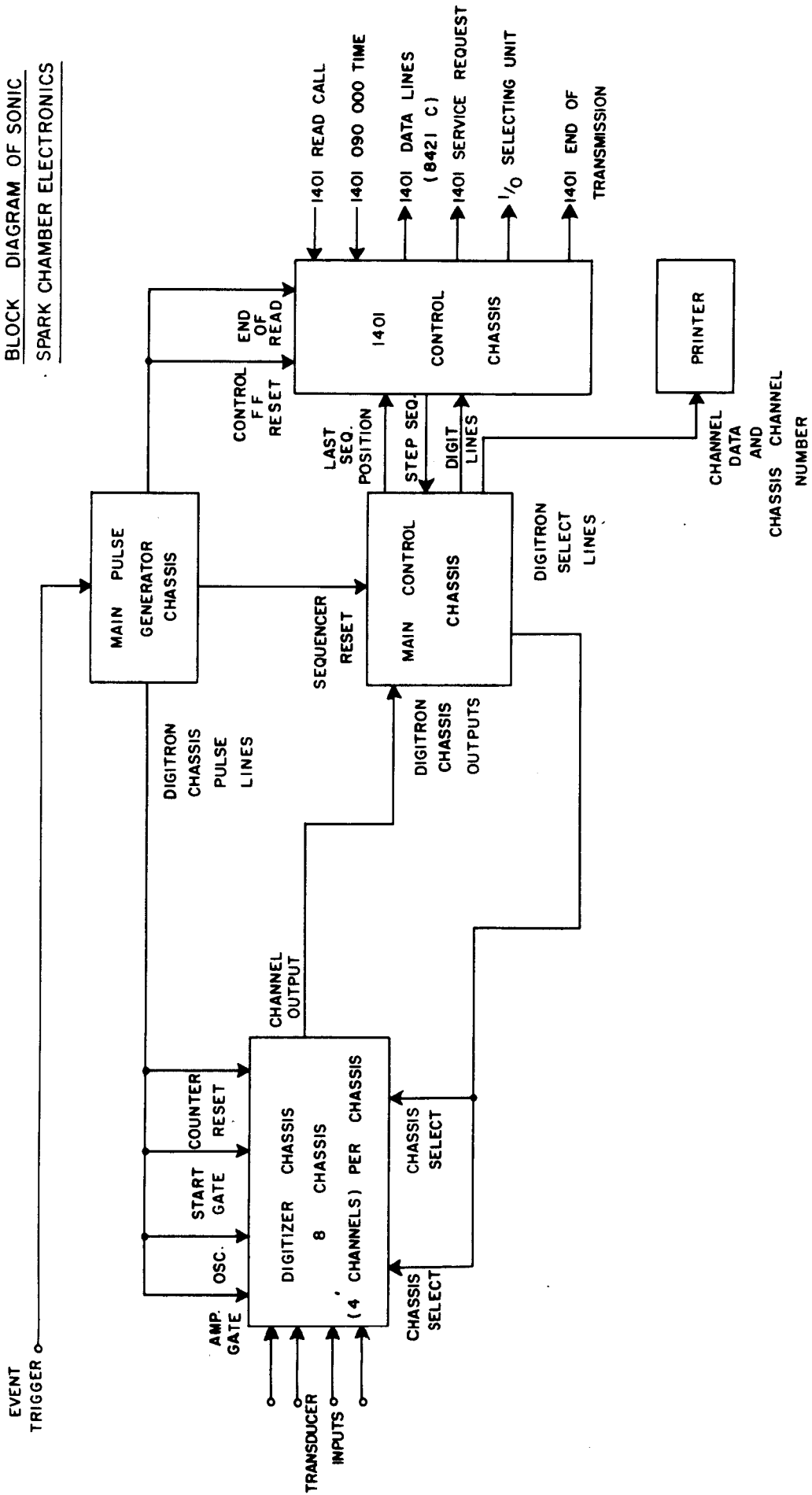


FIG. 22

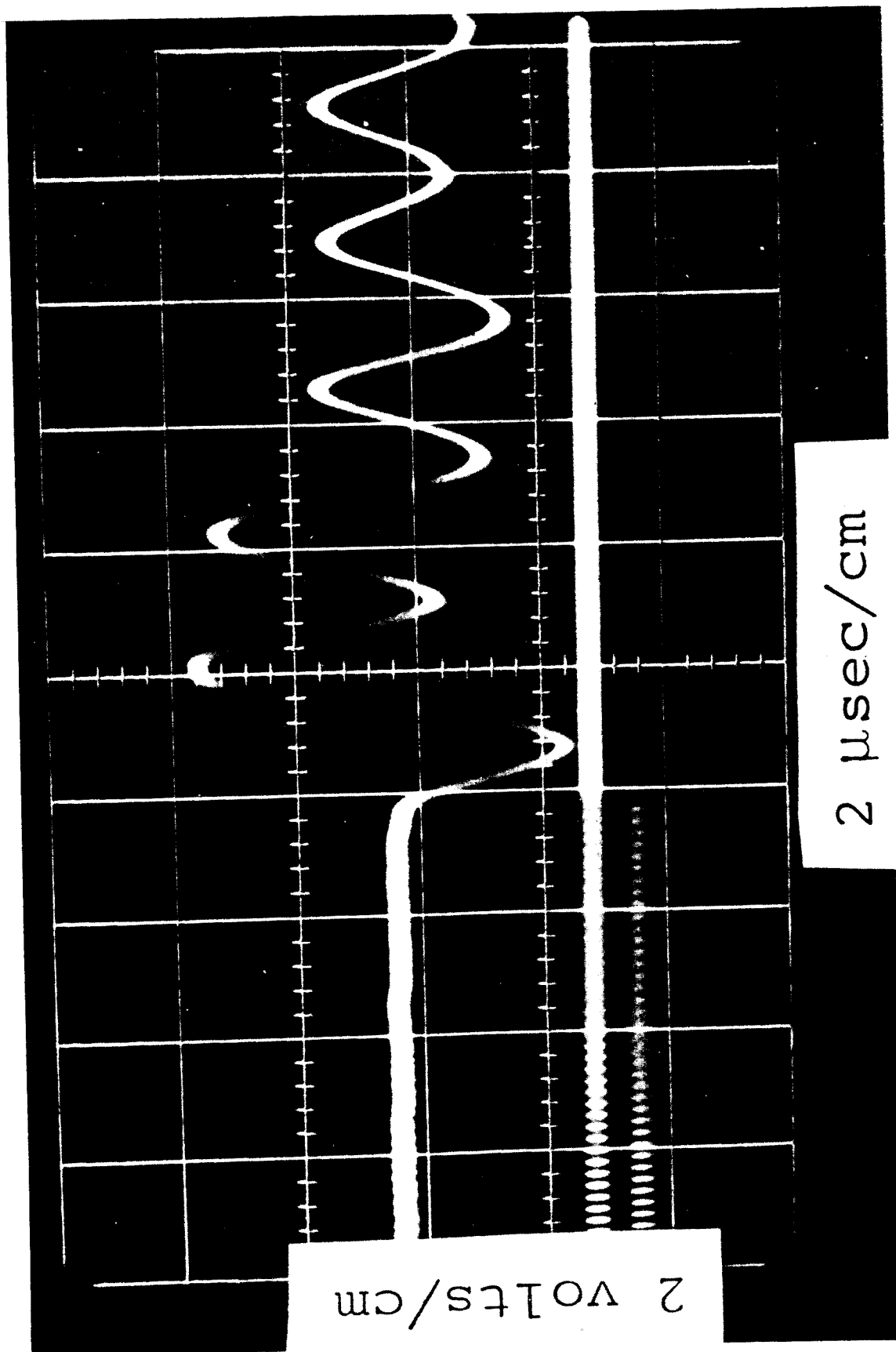
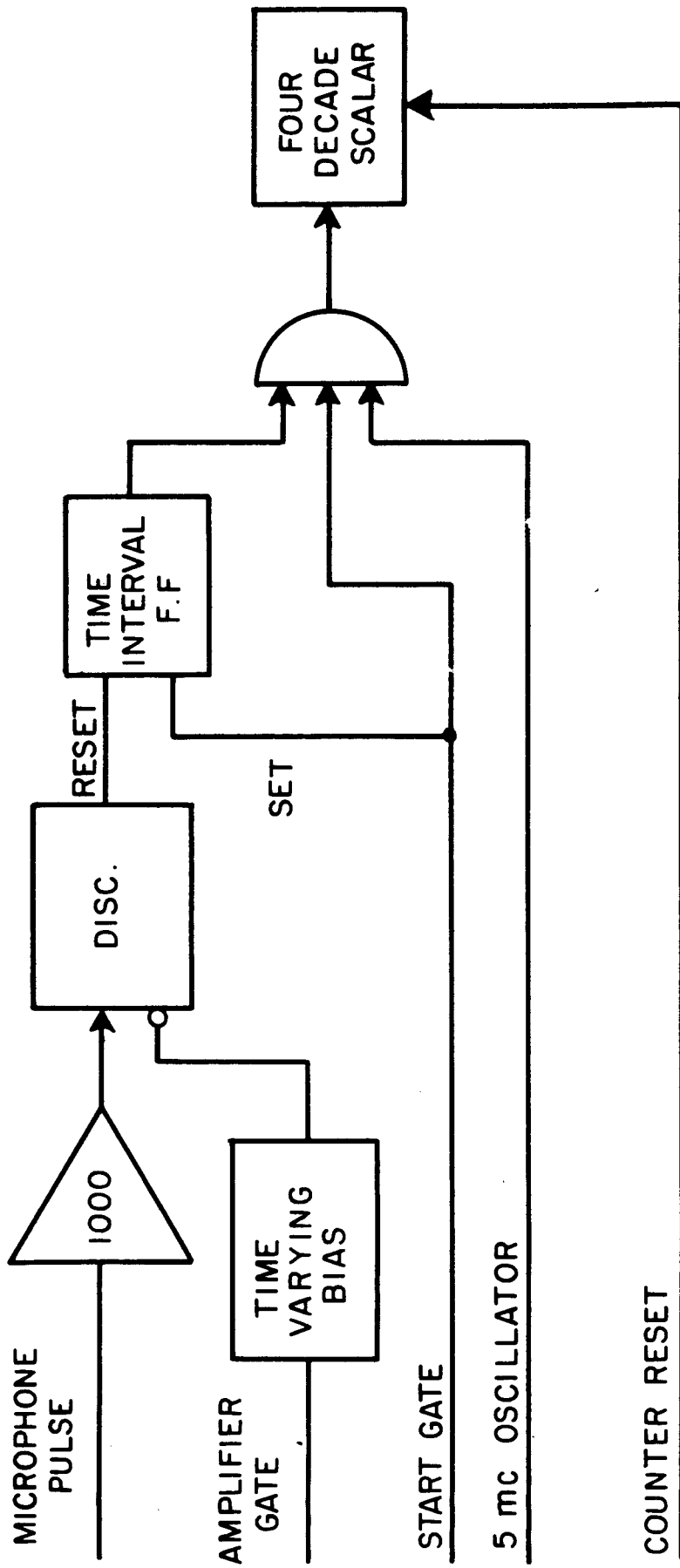


Fig. 23



BLOCK DIAGRAM OF THE AMPLIFIER AND TIME INTERVAL GENERATOR

FIG. 24

FIG. 24

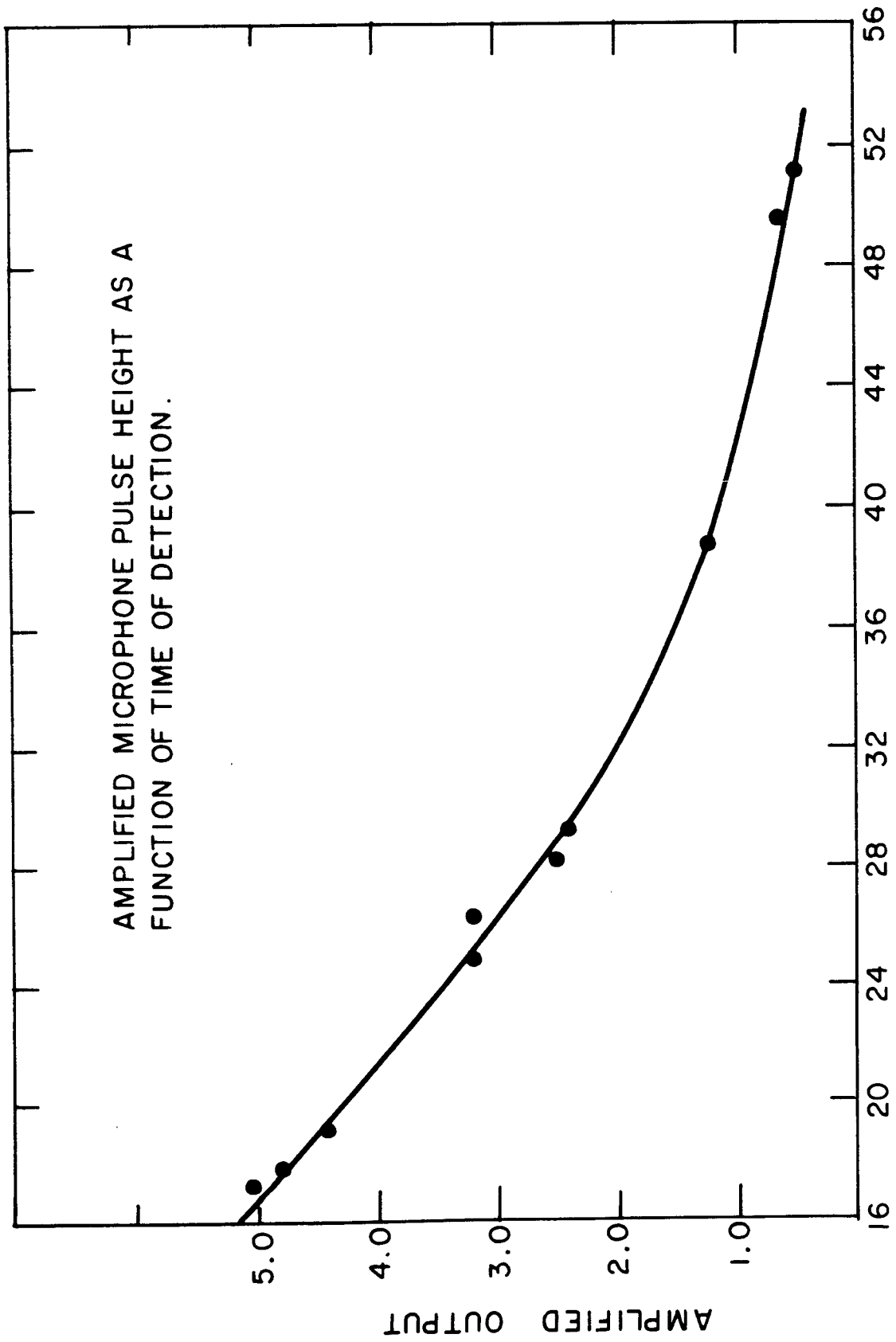


FIG. 25

BLOCK DIAGRAM OF 140I READING SEQUENCE

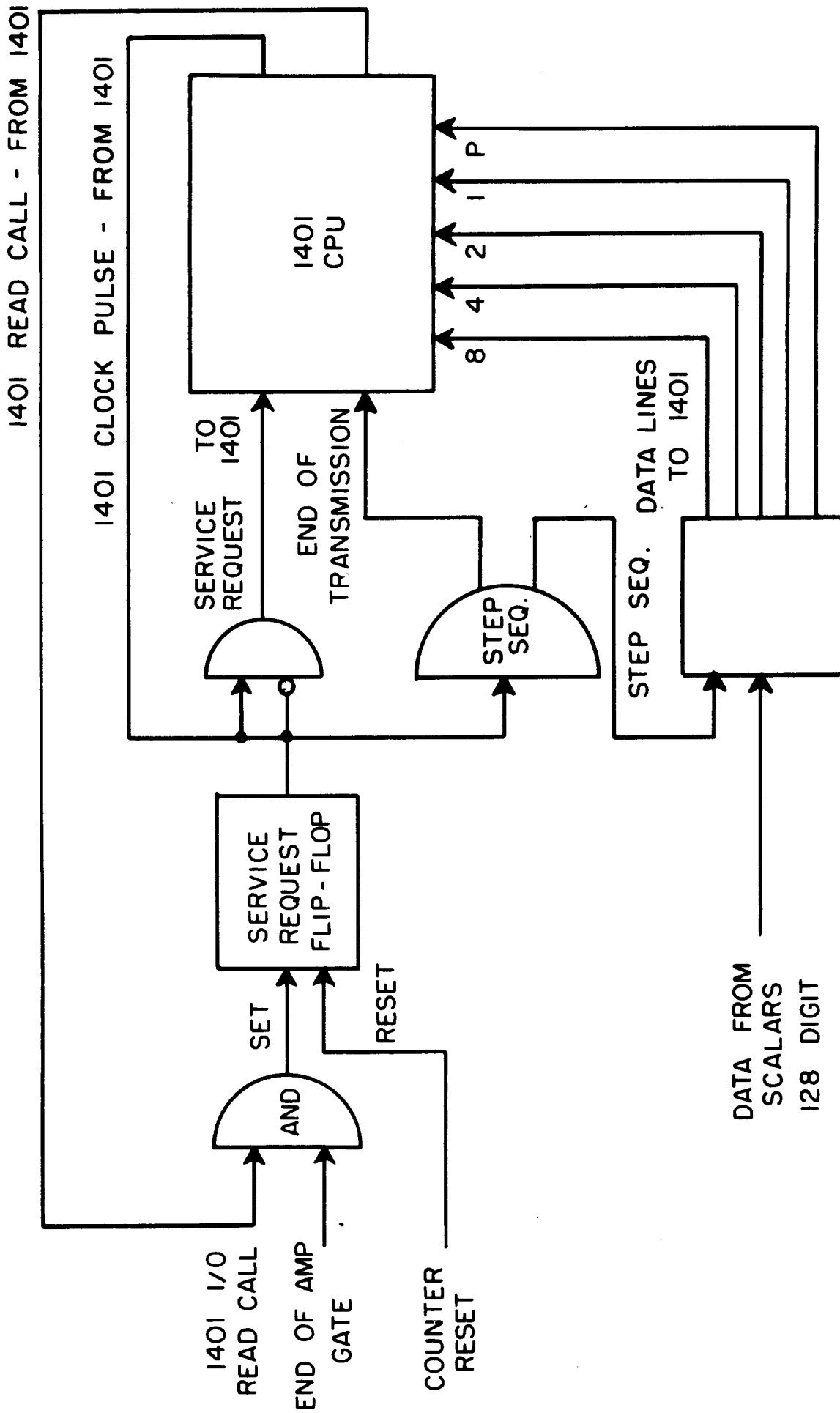


FIG. 26

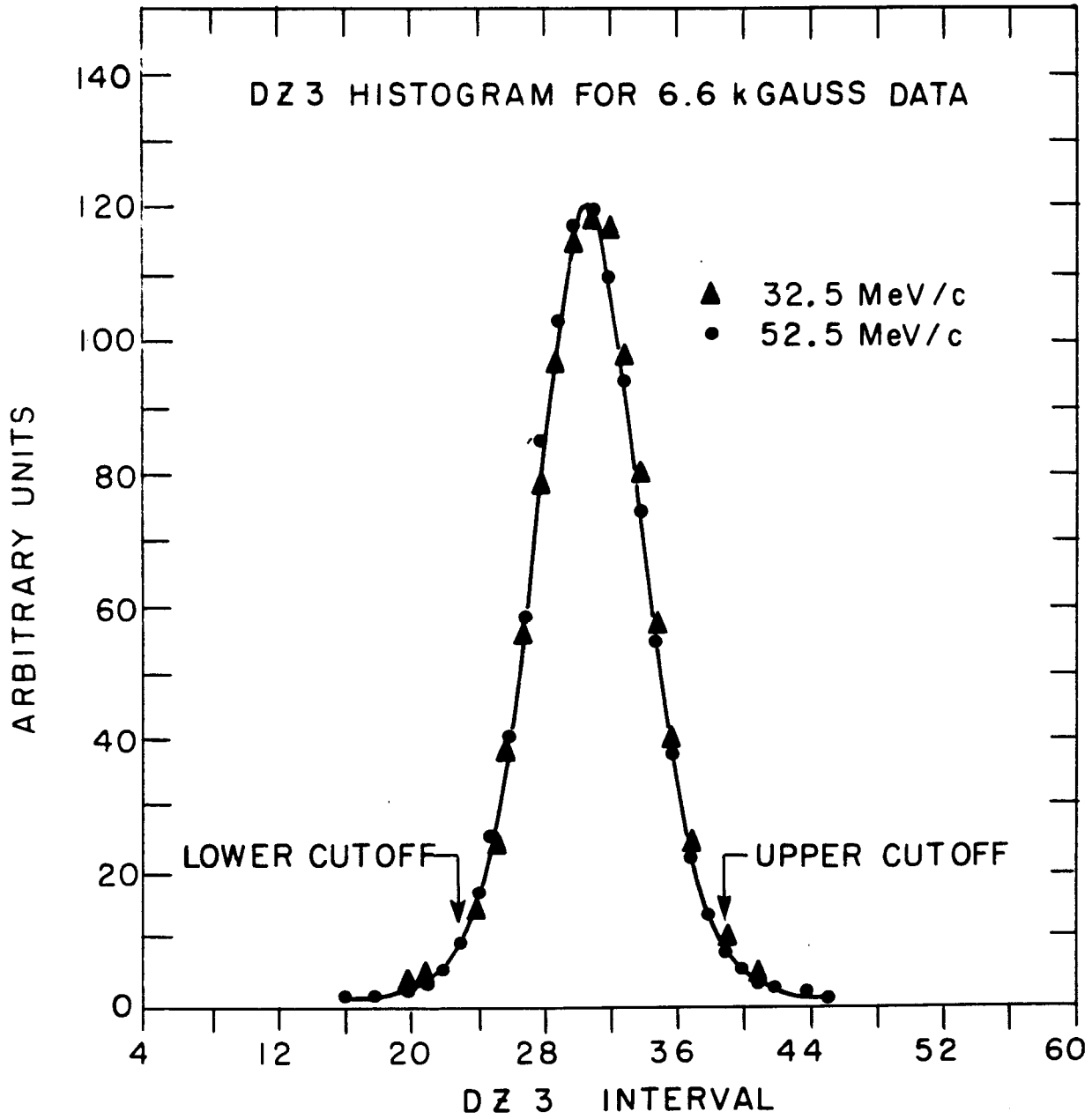


FIG. 28

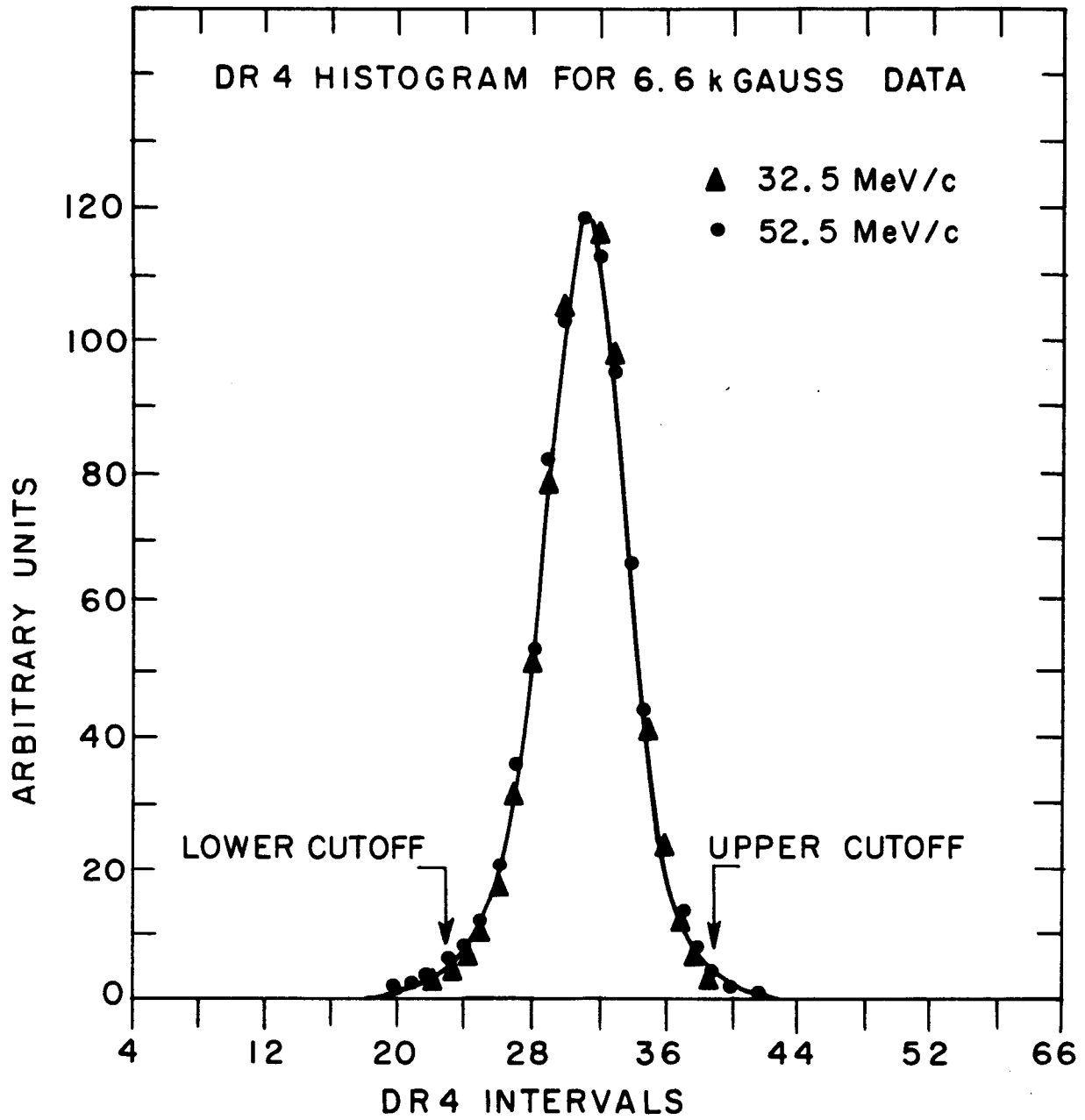


FIG. 29

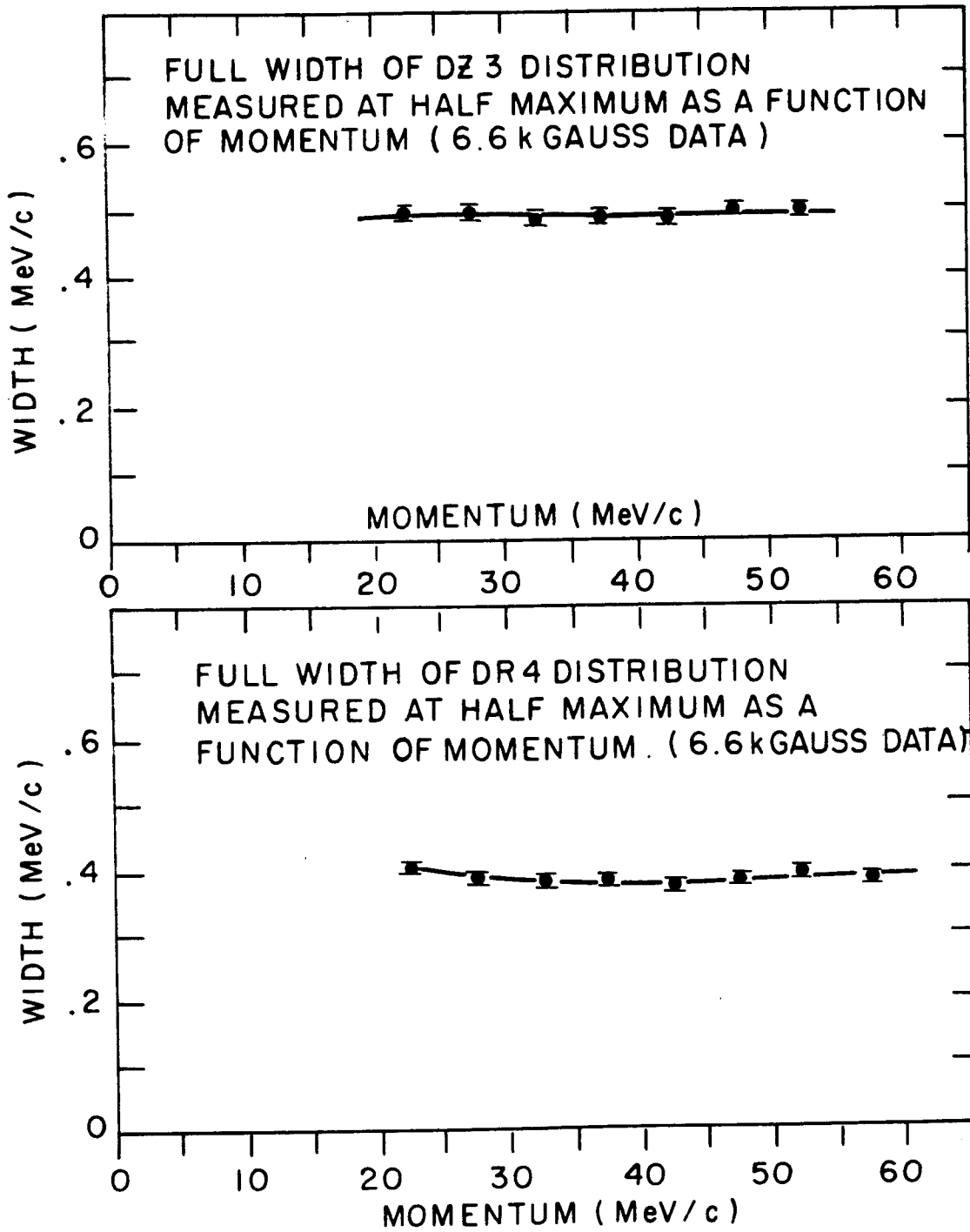


FIG. 30

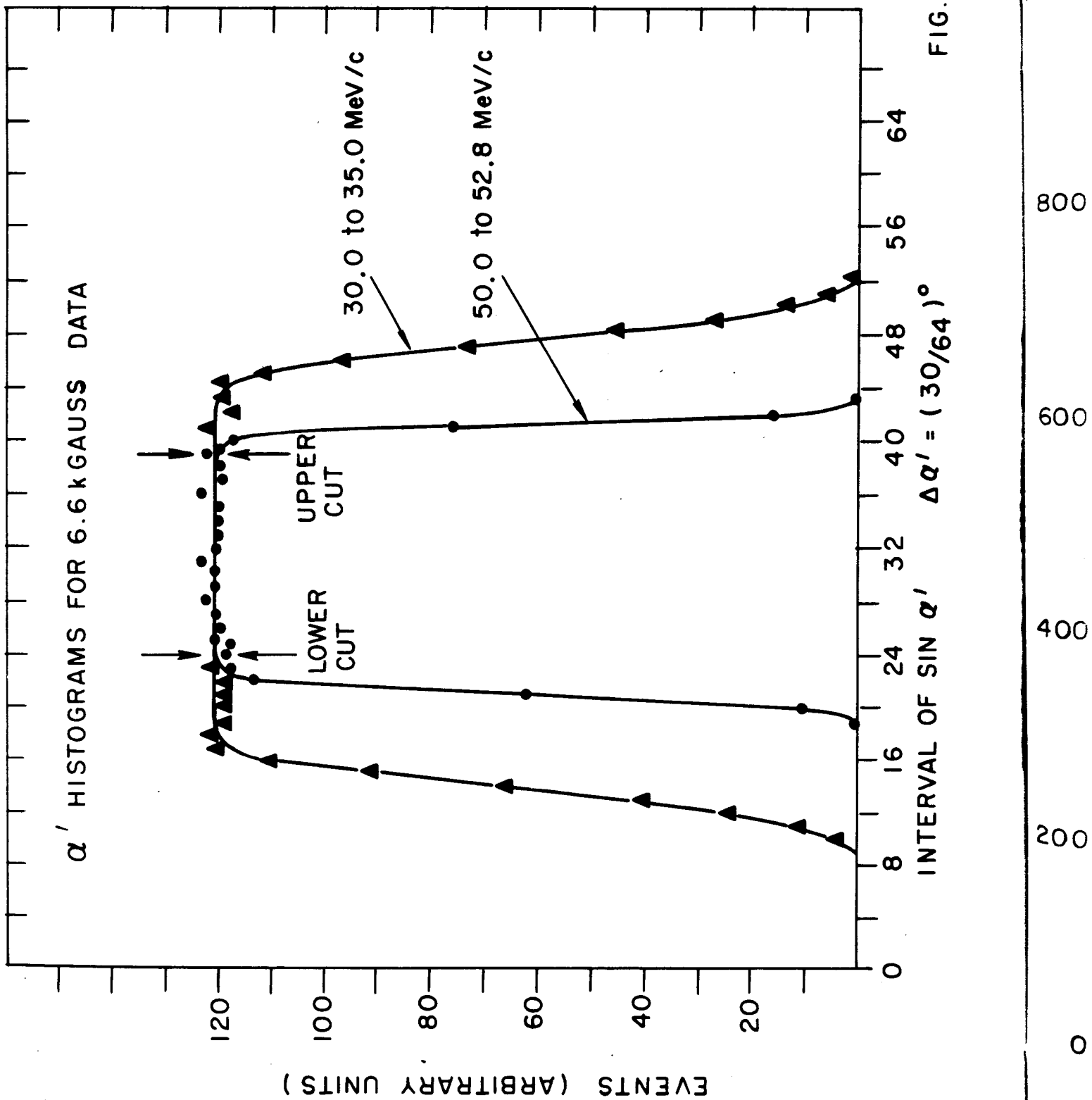


FIG. 31

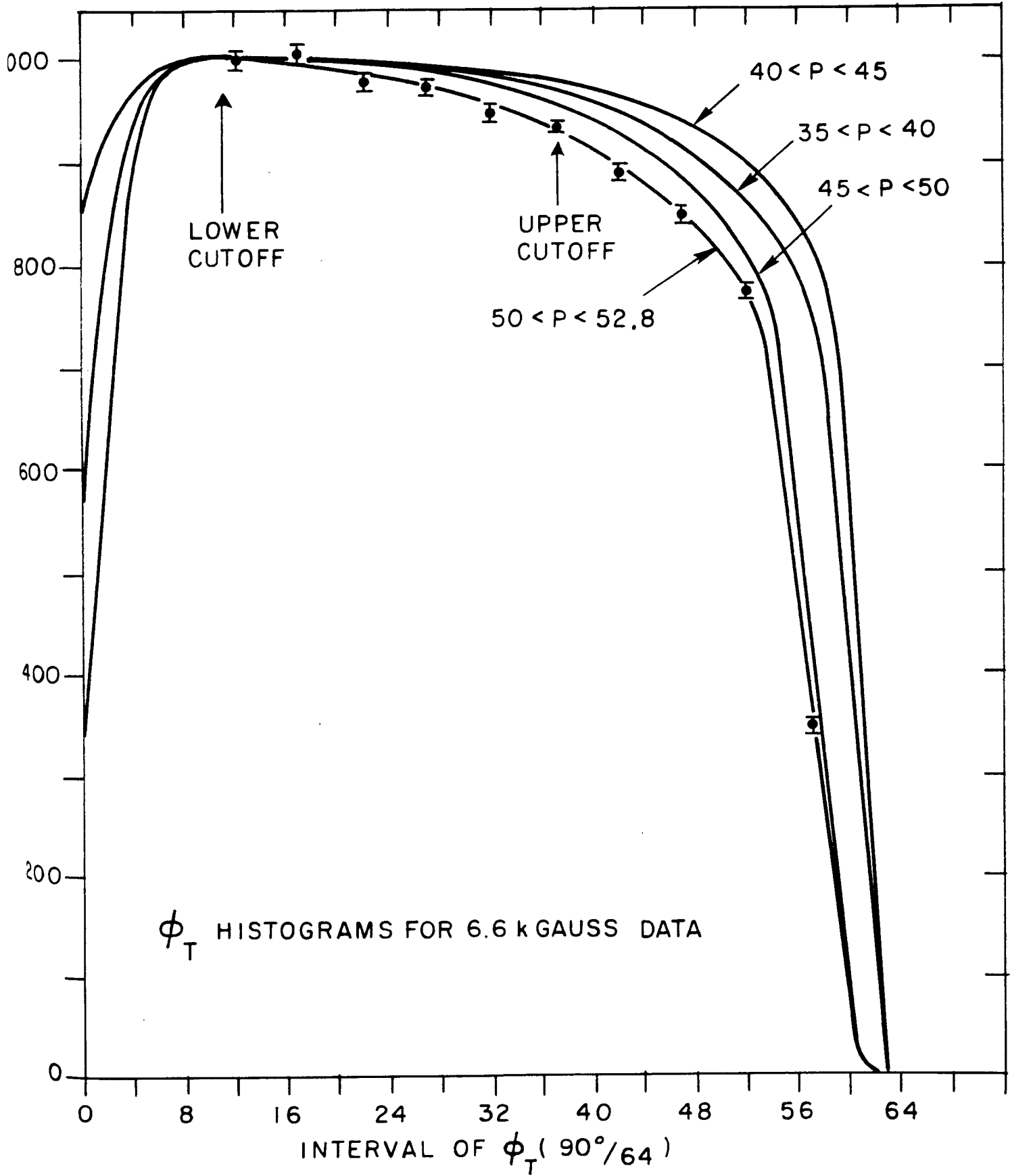
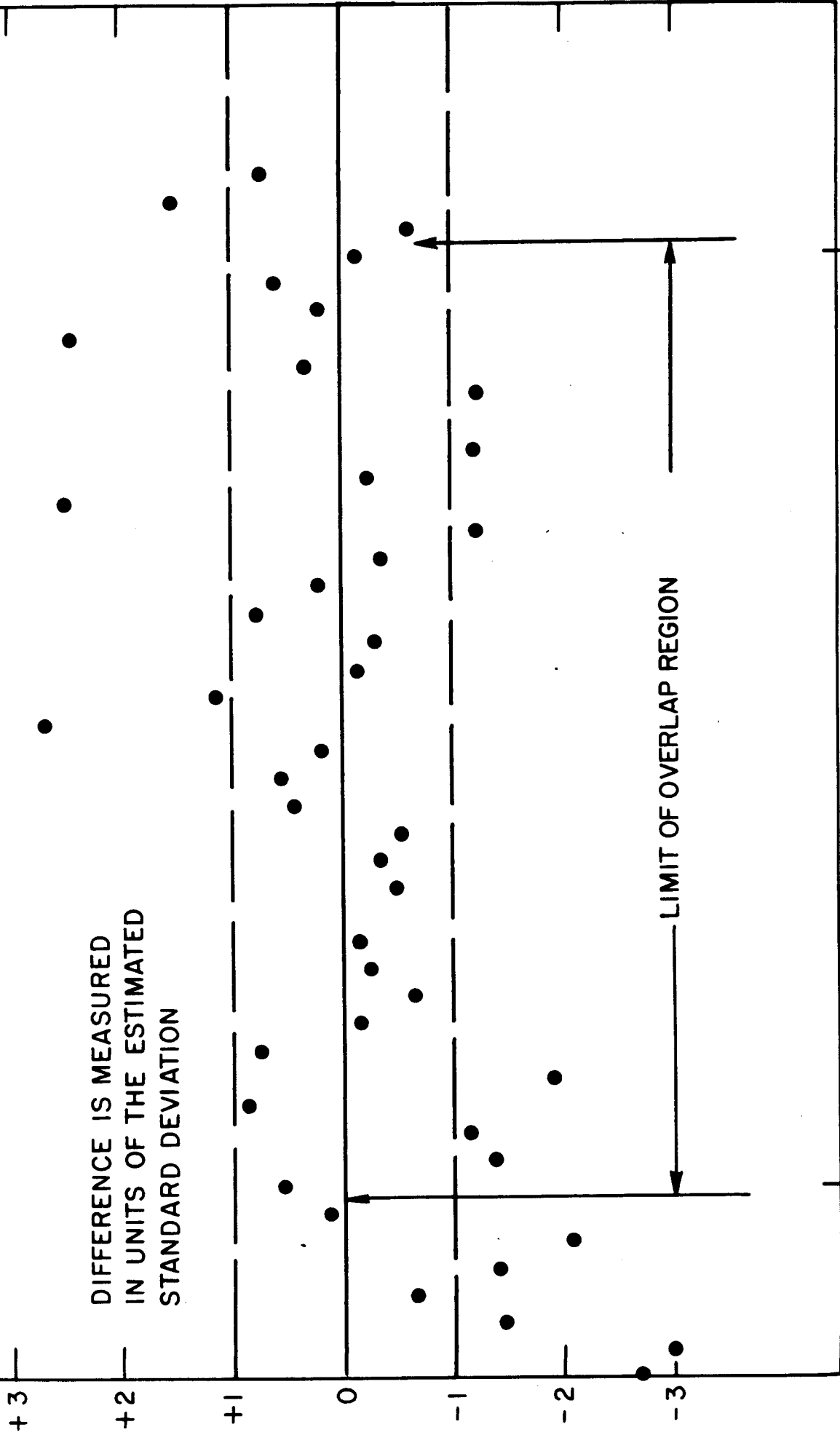


FIG. 32

DIFFERENCE BETWEEN 6.6 kGAUSS DATA AND RESCALED 5.3 kGAUSS DATA IN THE OVERLAP REGION. ANGULAR ACCEPTANCE $\alpha' = \pm 5^\circ$; $-16^\circ < \phi_T < 17^\circ$

DIFFERENCE IS MEASURED IN UNITS OF THE ESTIMATED STANDARD DEVIATION



33.79

44.74

MOMENTUM (MeV/c)

FIG. 33

208
206
204
20
200
198
196
194
192
190
188
.74

FIG. 33

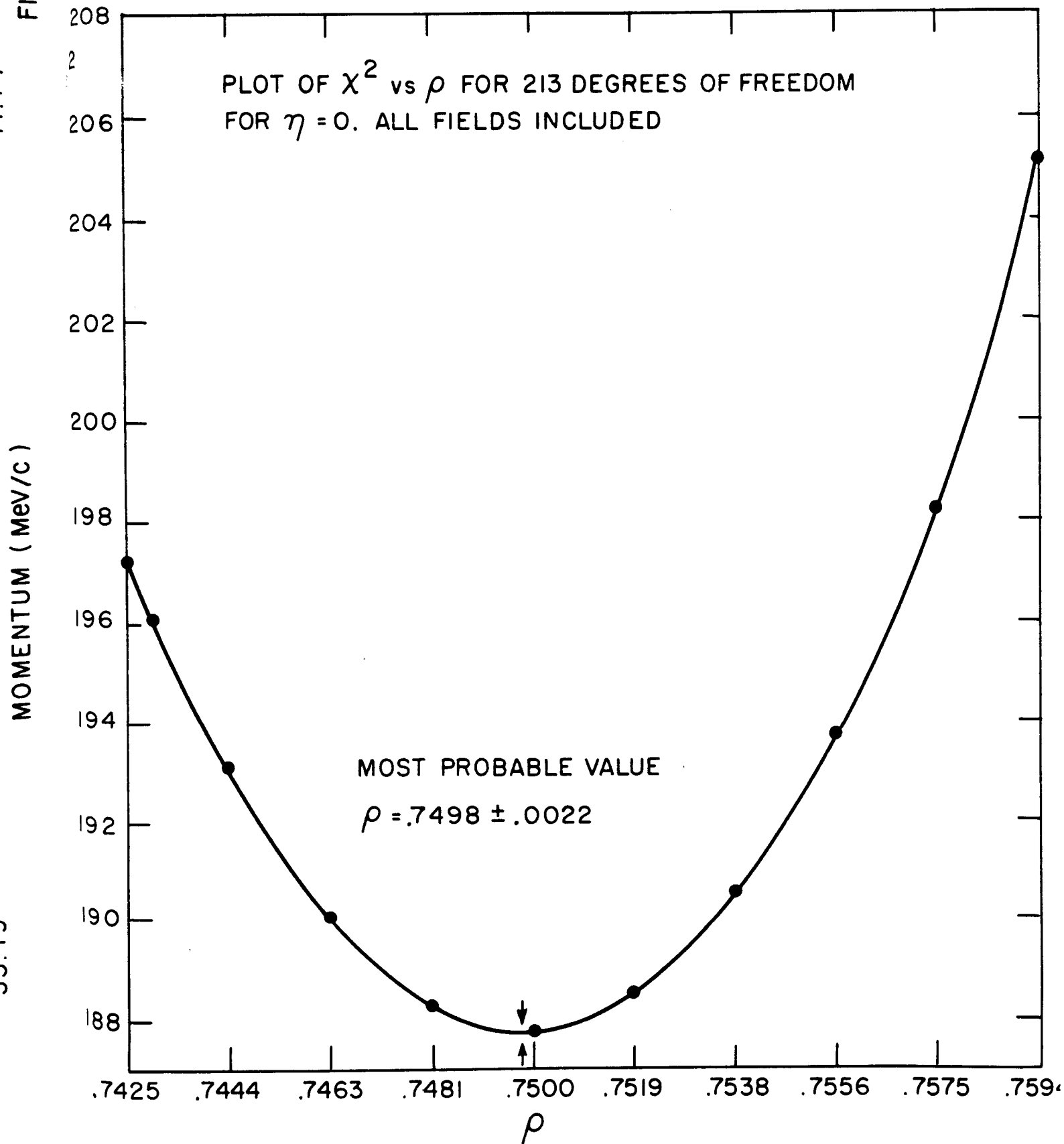
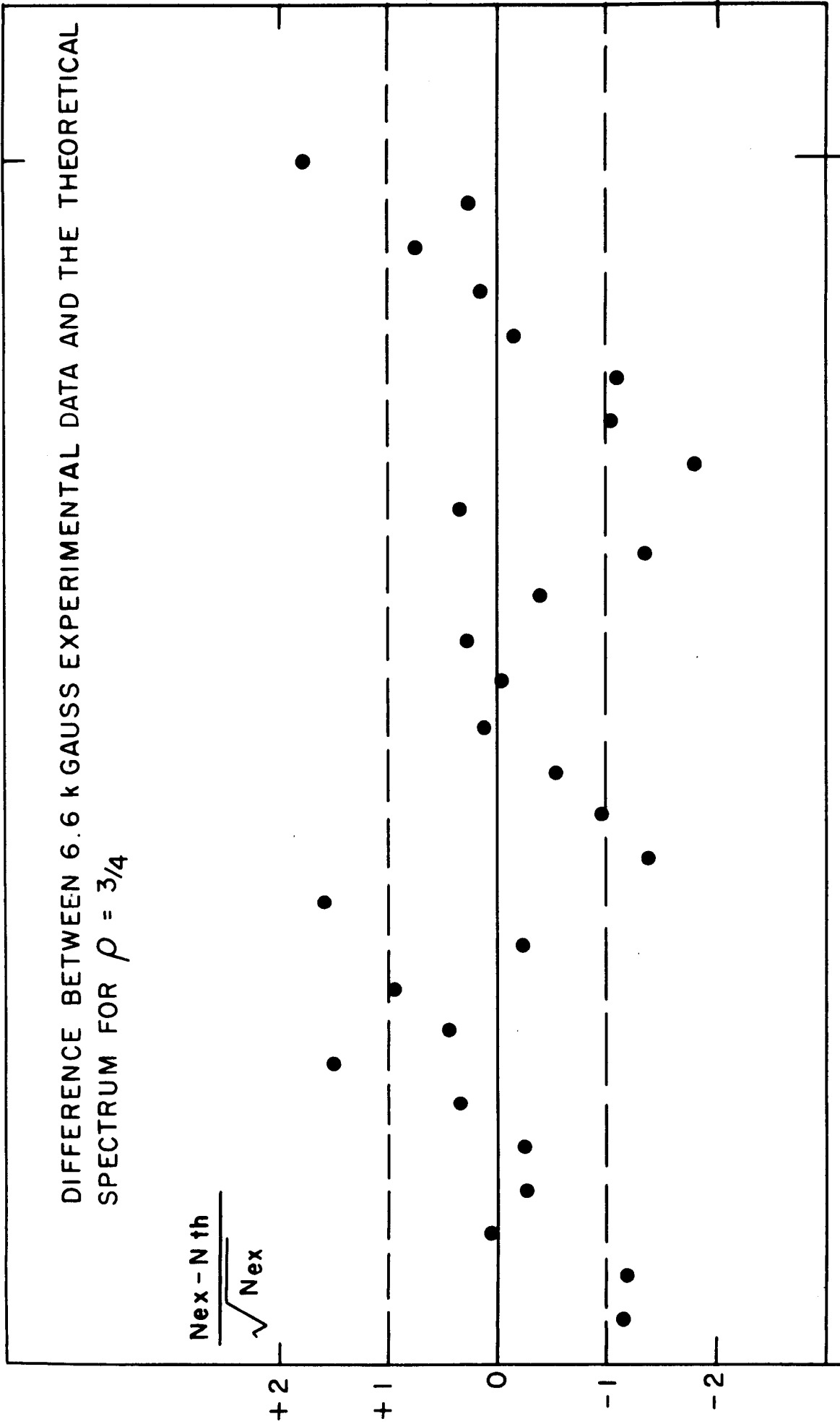


FIG. 34



34.31

51.81

FIG. 35

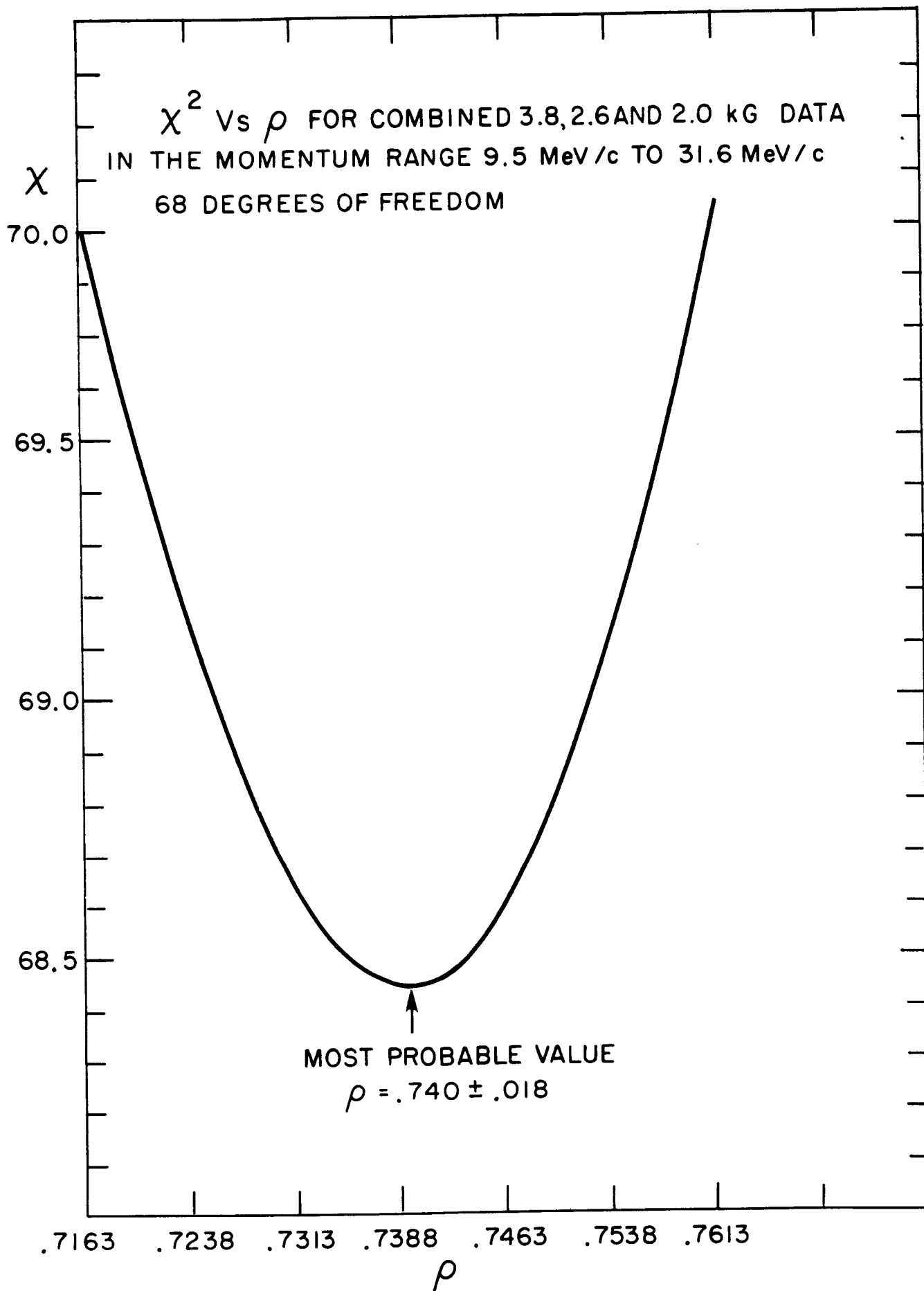


FIG. 36

BLOCK DIAGRAM OF DIGITRON DECADE COUNTER

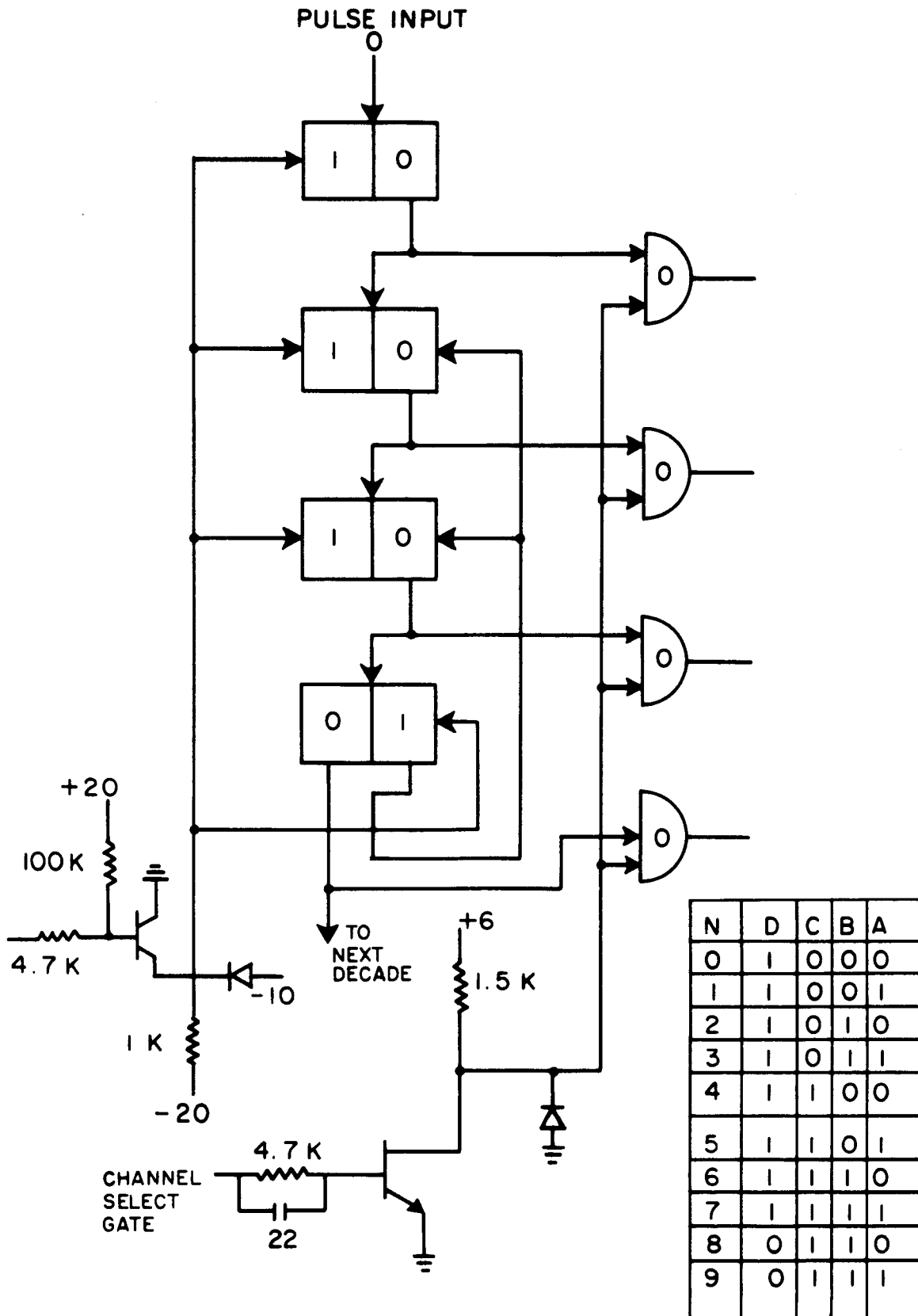


FIG. 37

MAIN PULSE GENERATOR CHASSIS

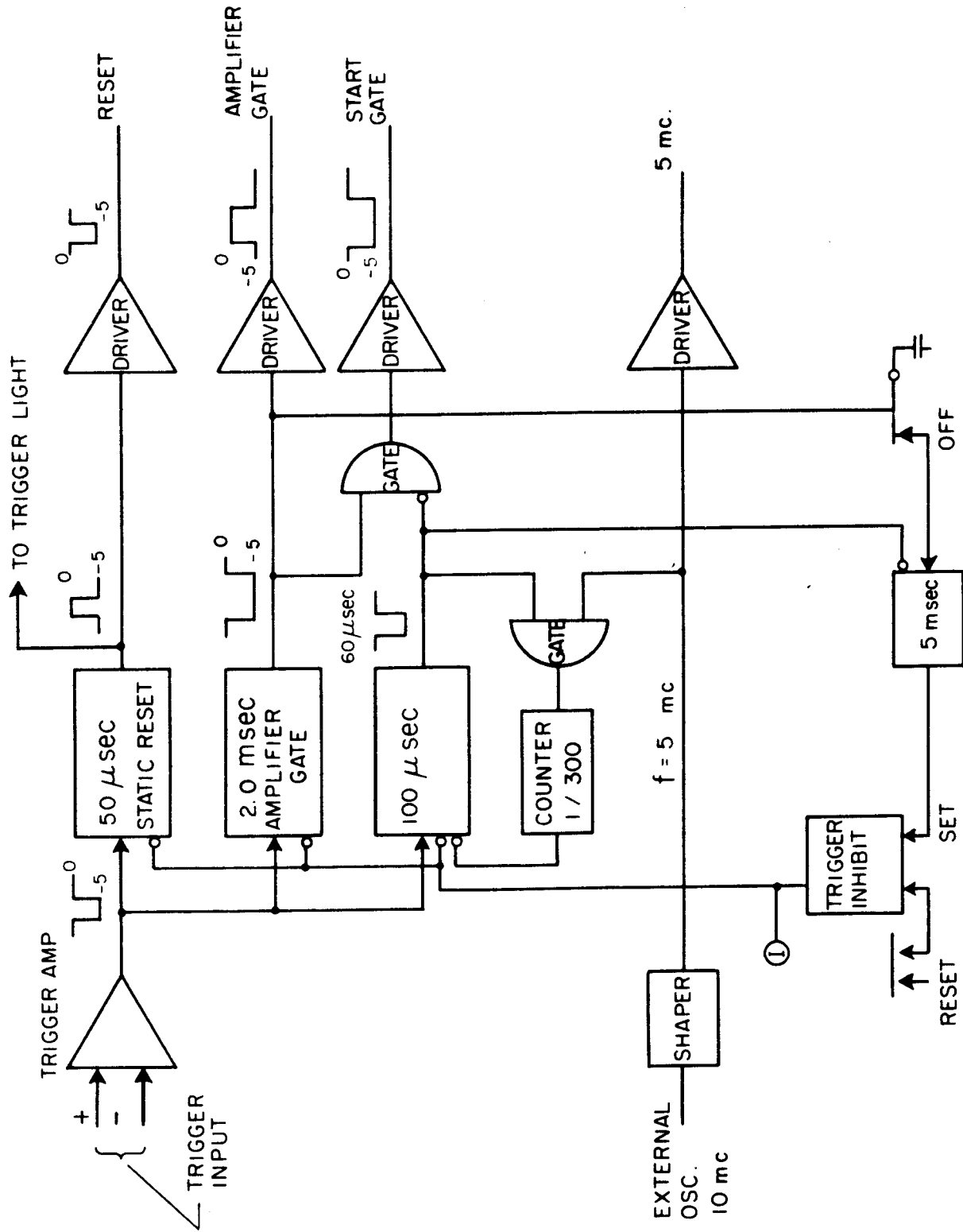


FIG. 38

EXAMPLE OF MIXING OF DIGIT LINES - I LINE SHOWN

1' s DIGIT / I LINE

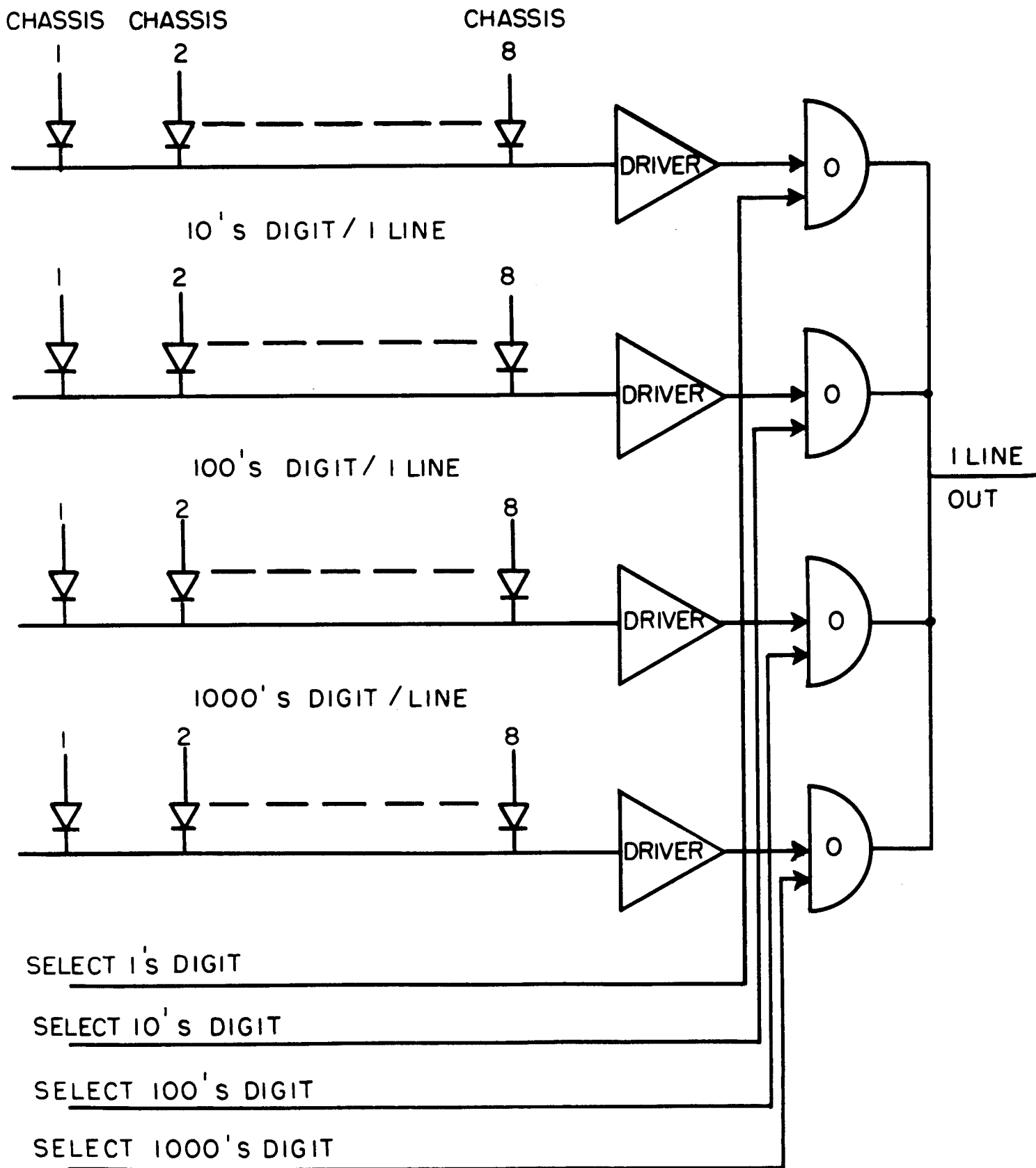


FIG. 39

LINE
IT

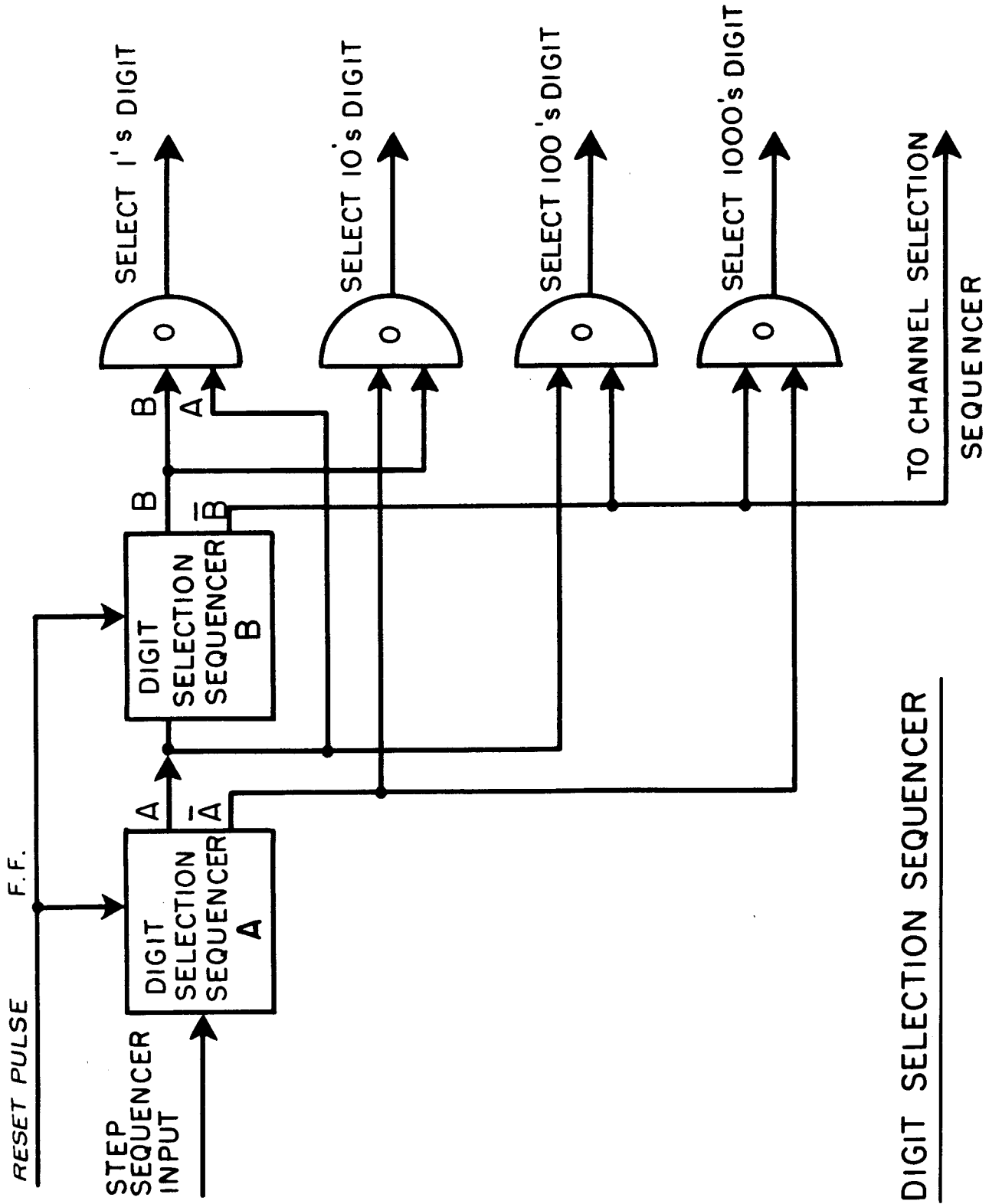


FIG. 40

BLOCK DIAGRAM
OF SELECT PULSE LOGIC

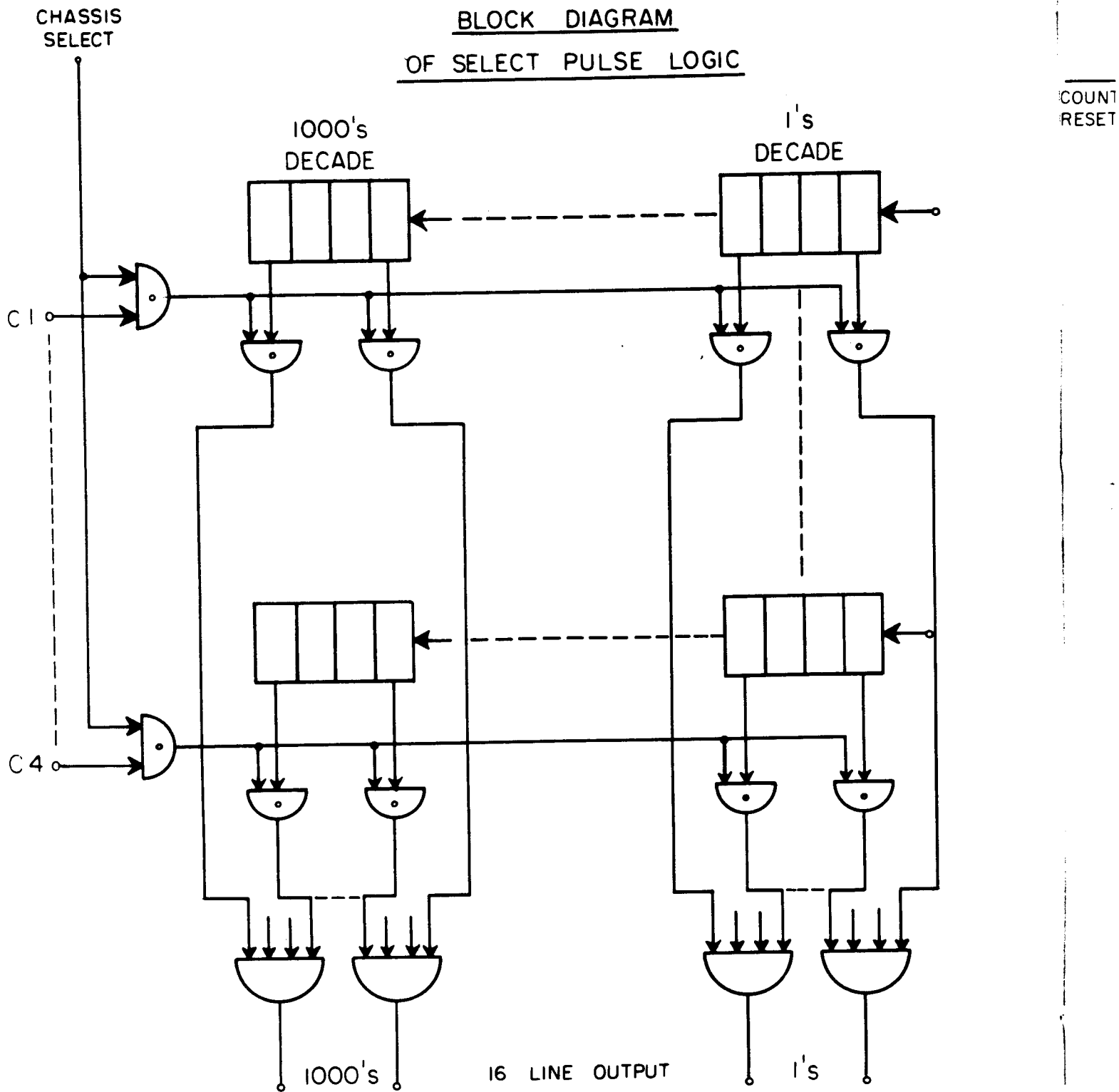
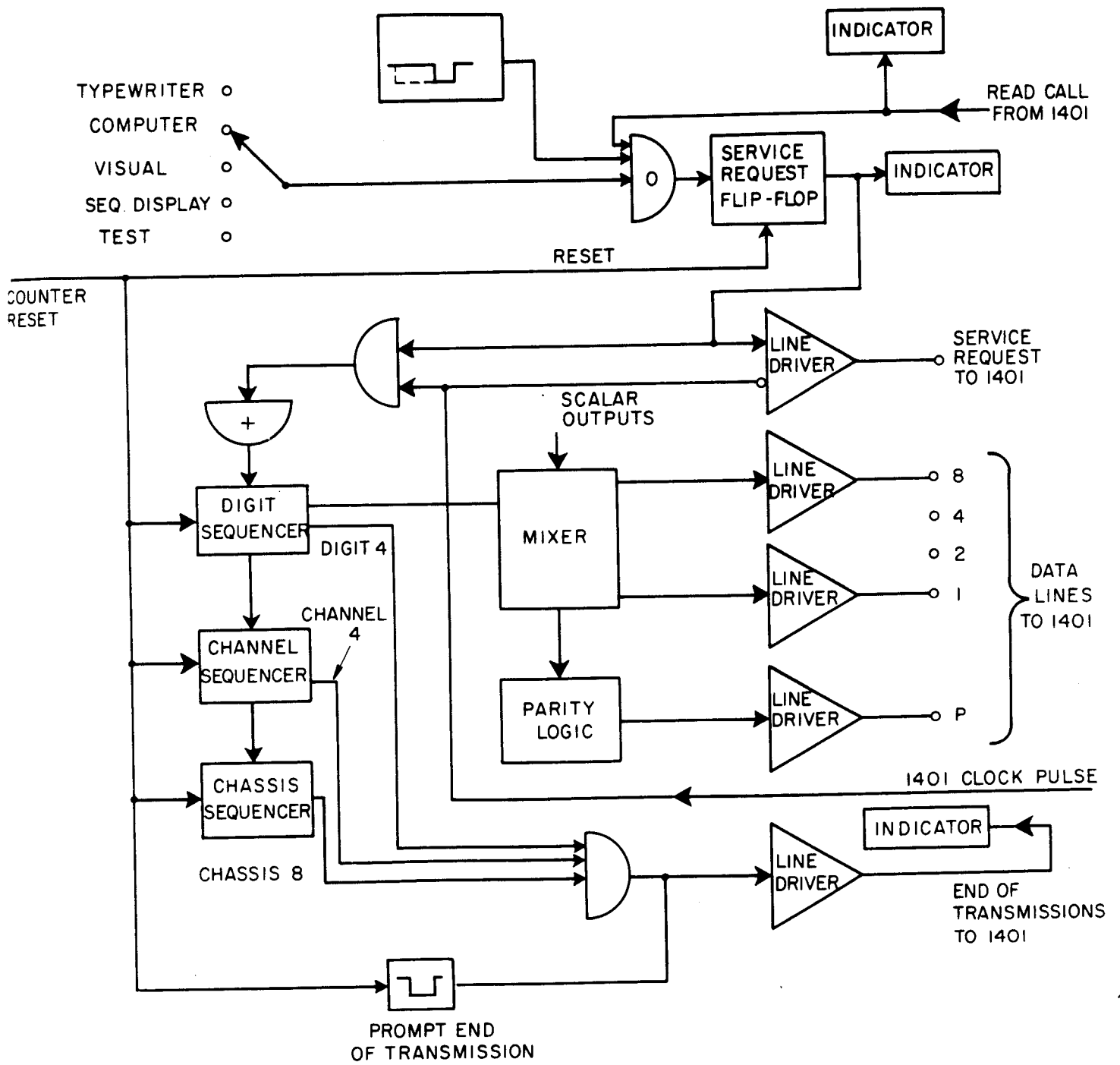


FIG .41



1401 CONTROL CHASSIS

FIG. 42

